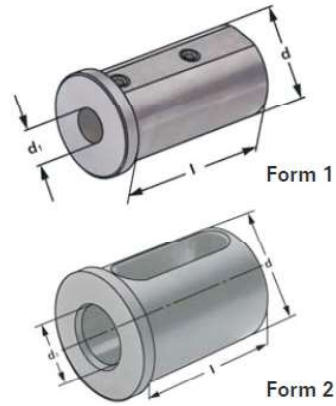


Reduction Sleeves for Boring Bar Holder / 镗刀减径套



Order No. 货号	Size 规格	Form	d	d1	L
3025.1006	RSB1-25X6X46	1	25	6	46
3025.1008	RSB1-25X8X46	1	25	8	46
3025.1010	RSB1-25X10X46	1	25	10	46
3025.1012	RSB1-25X12X46	1	25	12	46
3025.2016	RSB2-25X16X46	2	25	16	46
3025.2020	RSB2-25X20X46	2	25	20	46
Separator					
3032.1006	RSB1-32X6X56	1	32	6	56
3032.1008	RSB1-32X8X56	1	32	8	56
3032.1010	RSB1-32X10X56	1	32	10	56
3032.1012	RSB1-32X12X56	1	32	12	56
3032.2016	RSB2-32X16X56	2	32	16	56
3032.2020	RSB2-32X20X56	2	32	20	56
3032.2025	RSB2-32X25X56	2	32	25	56
Separator					
3040.1006	RSB1-40X6X71	1	40	6	71
3040.1008	RSB1-40X8X71	1	40	8	71
3040.1010	RSB1-40X10X71	1	40	10	71
3040.1012	RSB1-40X12X71	1	40	12	71
3040.2016	RSB2-40X16X71	2	40	16	71
3040.2020	RSB2-40X20X71	2	40	20	71
3040.2025	RSB2-40X25X71	2	40	25	71
3040.2032	RSB2-40X32X71	2	40	32	71