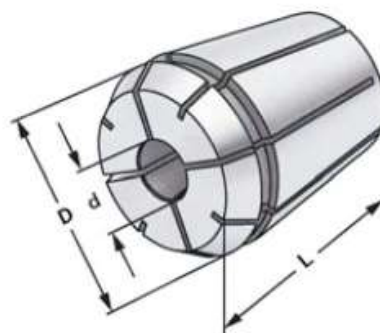
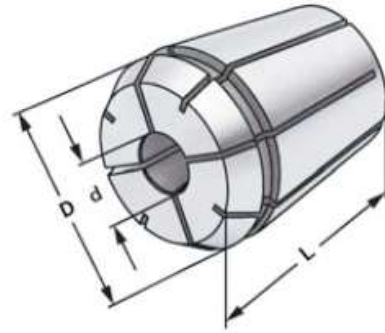


ER 攻丝夹头



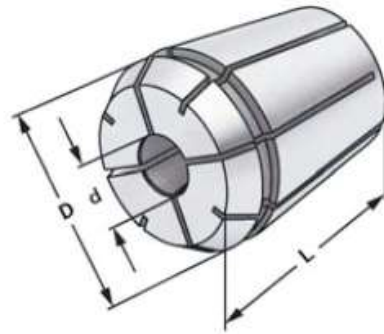
Order No. 货号	规格	d	方头	D	L
1416.3527	TC-ER16-3527	3.5	2.7	17	27.5
1416.4030	TC-ER16-4030	4	3	17	27.5
1416.4534	TC-ER16-4534	4.5	3.4	17	27.5
1416.6049	TC-ER16-6049	6	4.9	17	27.5
1416.7055	TC-ER16-7055	7	5.5	17	27.5
1416.8062	TC-ER16-8062	8	6.2	17	27.5
Separator					
1420.3527	TC-ER20-3527	3.5	2.7	25	31.5
1420.3527	TC-ER20-4030	4.0	3	25	31.5
1420.4534	TC-ER20-4534	4.5	3.4	25	31.5
1420.5530	TC-ER20-5530	5.5	3	25	31.5
1420.6034	TC-ER20-6034	6.0	3.4	25	31.5
1420.7049	TC-ER20-7049	7.0	4.9	25	31.5
1420.8055	TC-ER20-8055	8.0	5.5	25	31.5
1420.9062	TC-ER20-9062	9.0	6.2	25	31.5
1420.1070	TC-ER20-1070	10	7	25	31.5
Separator					
1425.3527	TC-ER25-3527	3.5	2.7	26	34
1425.4030	TC-ER25-4030	4	3	26	34

ER 攻丝夹头



货号	规格	d	方头	D	L
1425.4534	TC-ER25-4534	4.5	3.4	26	34
1425.6049	TC-ER25-6049	6	4.9	26	34
1425.7055	TC-ER25-7055	7	5.5	26	34
1425.8062	TC-ER25-8062	8	6.2	26	34
1425.9070	TC-ER25-9070	9	7	26	34
1425.1080	TC-ER25-1080	10	8	26	34
1425.1190	TC-ER25-1190	11	9	26	34
1425.1290	TC-ER25-1290	12	9	26	34
1432.4534	TC-ER32-4534	4.5	3.4	33	40
1432.6049	TC-ER32-6049	6	4.9	33	40
1432.7055	TC-ER32-7055	7	5.5	33	40
1432.8062	TC-ER32-8062	8	6.2	33	40
1432.9070	TC-ER32-9070	9	7	33	40
1432.1080	TC-ER32-1080	10	8	33	40
1432.1190	TC-ER32-1190	11	9	33	40
1432.1290	TC-ER32-1290	12	9	33	40
1432.1411	TC-ER32-1411	14	11	33	40
1432.1612	TC-ER32-1612	16	12	33	40

ER 攻丝夹头



Order No. 货号	规格	d	方头	D	L
1440.6049	TC-ER40-6049	6	4.9	41	46
1440.7055	TC-ER40-7055	7	5.5	41	46
1440.8062	TC-ER40-8062	8	6.2	41	46
1440.9070	TC-ER40-9070	9	7	41	46
1440.1080	TC-ER40-1080	10	8	41	46
1440.1190	TC-ER40-1190	11	9	41	46
1440.1290	TC-ER40-1290	12	9	41	46
1440.1411	TC-ER40-1411	14	11	41	46
1440.1612	TC-ER40-1612	16	12	41	46
1440.18145	TC-ER40-18145	18	14.5	41	46
1440.2016	TC-ER40-2016	20	16	41	46