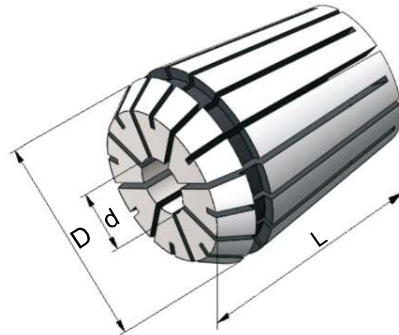


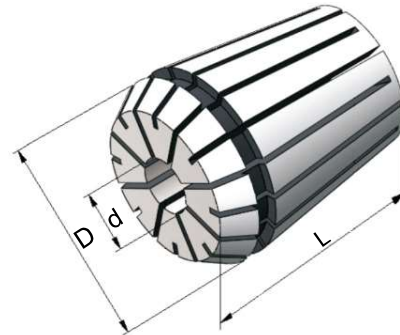
DIN 6499 B Collets ER / ER 弹簧夹头



standard
标准型

Order No. (S) 货号 (标准型)	Size 规格	d 夹持直径	D	L
1008.0001	ER8-01	0.5-1.0	8	13.5
1008.00015	ER8-015	1.0-1.5	8	13.5
1008.0002	ER8-02	1.5-2.0	8	13.5
1008.00025	ER8-025	2.0-2.5	8	13.5
1008.0003	ER8-03	2.5-3.0	8	13.5
1008.00035	ER8-035	3.0-3.5	8	13.5
1008.0004	ER8-04	3.5-4.0	8	13.5
1008.00045	ER8-045	4.0-4.5	8	13.5
1008.0005	ER8-05	4.5-5.0	8	13.5

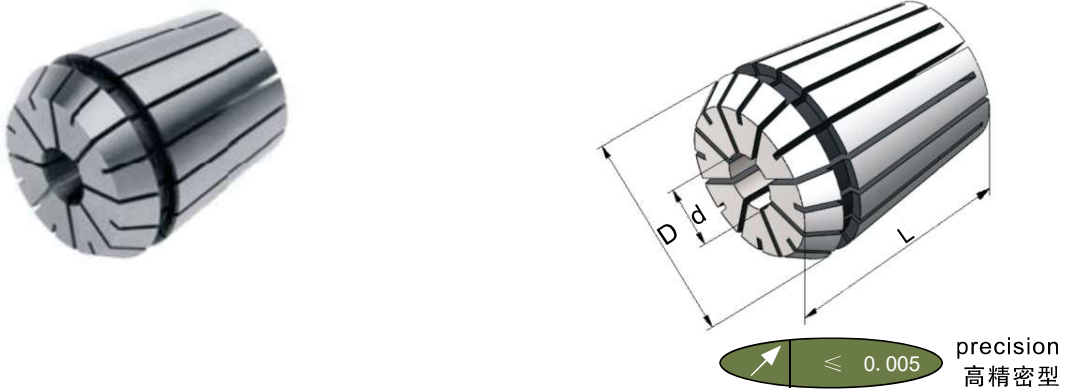
DIN 6499 B Collets ER / ER弹簧夹头



standard
标准型

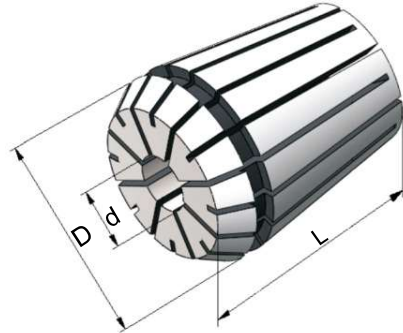
Order No. (S) 货号 (标准型)	Size 规格	d 夹持直径	D	L
1011.0001	ER11-01	0.5-1.0	11.5	18
1011.00015	ER11-015	1.0-1.5	11.5	18
1011.0002	ER11-02	1.5-2.0	11.5	18
1011.00025	ER11-025	2.0-2.5	11.5	18
1011.0003	ER11-03	2.5-3.0	11.5	18
1011.00035	ER11-035	3.0-3.5	11.5	18
1011.0004	ER11-04	3.5-4.0	11.5	18
1011.00045	ER11-045	4.0-4.5	11.5	18
1011.0005	ER11-05	4.5-5.0	11.5	18
1011.00055	ER11-055	5.0-5.5	11.5	18
1011.0006	ER11-06	5.5-6.0	11.5	18
1011.00065	ER11-065	6.0-6.5	11.5	18
1011.0007	ER11-07	6.5-7.0	11.5	18

DIN 6499 B Collets / 高精精密ER弹簧夹头



Order No. (S) 货号 (标准型)	Size 规格	d 夹持直径	D	L
1011P.0001	ER11-01-P	0.5-1.0	11	13.5
1011P.00015	ER11-015-P	1.0-1.5	11	13.5
1011P.0002	ER11-02-P	1.5-2.0	11	13.5
1011P.00025	ER11-025-P	2.0-2.5	11	13.5
1011P.0003	ER11-03-P	2.5-3.0	11	13.5
1011P.00035	ER11-035-P	3.0-3.5	11	13.5
1011P.0004	ER11-04-P	3.5-4.0	11	13.5
1011P.00045	ER11-045-P	4.0-4.5	11	13.5
1011P.0005	ER11-05-P	4.5-5.0	11	13.5
1011P.00055	ER11-055-P	5.0-5.5	11	13.5
1011P.0006	ER11-06-P	5.5-6.0	11	13.5
1011P.00065	ER11-065-P	6.0-6.5	11	13.5
1011P.0007	ER11-07-P	6.5-7.0	11	13.5

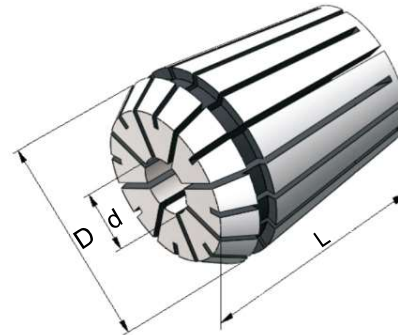
DIN 6499 B Collets ER / ER 弹簧夹头



standard
标准型

Order No. (S) 货号 (标准型)	Size 规格	d 夹持直径	D	L
1016.0001	ER16-01	0.5-1	17	27
1016.0002	ER16-02	1-2	17	27
1016.0003	ER16-03	2-3	17	27
1016.0004	ER16-04	3-4	17	27
1016.0005	ER16-05	4-5	17	27
1016.0006	ER16-06	5-6	17	27
1016.0007	ER16-07	6-7	17	27
1016.0008	ER16-08	7-8	17	27
1016.0009	ER16-09	8-9	17	27
1016.0010	ER16-10	9-10	17	27

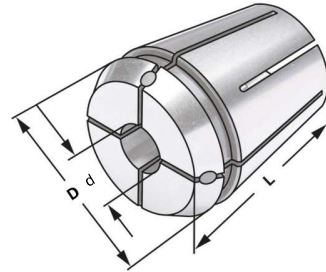
DIN 6499 B Collets ER / 高精度ER弹簧夹头



precision
高精度型

Order No. (S) 货号 (标准型)	Size 规格	d 夹持直径	D	L
1016P.0001	ER16-01-P	0.5-1	16	27.5
1016P.0002	ER16-02-P	1-2	16	27.5
1016P.0003	ER16-03-P	2-3	16	27.5
1016P.0004	ER16-04-P	3-4	16	27.5
1016P.0005	ER16-05-P	4-5	16	27.5
1016P.0006	ER16-06-P	5-6	16	27.5
1016P.0007	ER16-07-P	6-7	16	27.5
1016P.0008	ER16-08-P	7-8	16	27.5
1016P.0009	ER16-09-P	8-9	16	27.5
1016P.0010	ER16-10-P	9-10	16	27.5

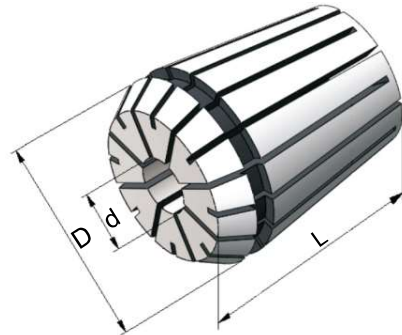
DIN 6499 B Collets ER / 内冷ER弹簧夹头



standard
标准型

Order No. (S) 货号 (标准型)	Size 规格	d 夹持直径	D	L
1016I.0003	ER16-03-IC	2-3	16	27.5
1016I.0004	ER16-04-IC	3-4	16	27.5
1016I.0005	ER16-05-IC	4-5	16	27.5
1016I.0006	ER16-06-IC	5-6	16	27.5
1016I.0007	ER16-07-IC	6-7	16	27.5
1016I.0008	ER16-08-IC	7-8	16	27.5
1016I.0009	ER16-09-IC	8-9	16	27.5
1016I.0010	ER16-10-IC	9-10	16	27.5

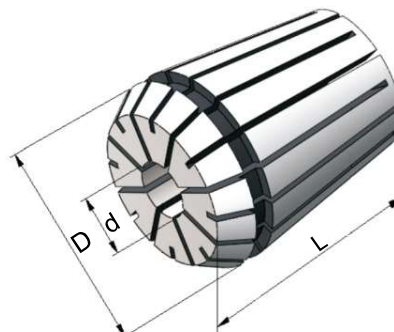
DIN 6499 B Collets ER / ER 弹簧夹头



standard
标准型

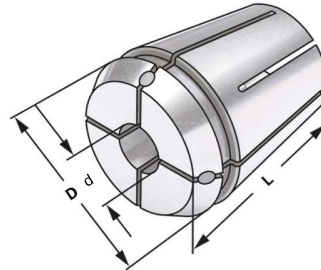
Order No. (S) 货号 (标准型)	Size 规格	d 夹持直径	D	L
1020.0002	ER20-02	1.5-2	21	31.5
1020.0003	ER20-03	2-3	21	31.5
1020.0004	ER20-04	3-4	21	31.5
1020.0005	ER20-05	4-5	21	31.5
1020.0006	ER20-06	5-6	21	31.5
1020.0007	ER20-07	6-7	21	31.5
1020.0008	ER20-08	7-8	21	31.5
1020.0009	ER20-09	8-9	21	31.5
1020.0010	ER20-10	9-10	21	31.5
1020.0011	ER20-11	10-11	21	31.5
1020.0012	ER20-12	11-12	21	31.5
1020.0013	ER20-13	12-13	21	31.5

DIN 6499 B Collets ER / 高精ER弹簧夹头


 precision
 高精型

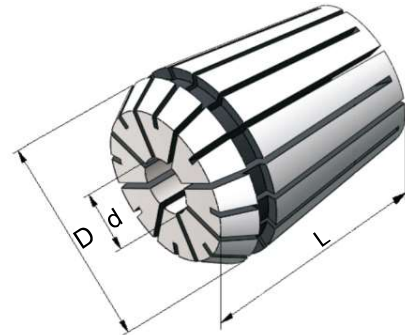
Order No. (S) 货号 (标准型)	Size 规格	d 夹持直径	D	L
1020P.0001	ER20-01-P	0.5-1	20	31.5
1020P.0002	ER20-02-P	1-2	20	31.5
1020P.0003	ER20-03-P	2-3	20	31.5
1020P.0004	ER20-04-P	3-4	20	31.5
1020P.0005	ER20-05-P	4-5	20	31.5
1020P.0006	ER20-06-P	5-6	20	31.5
1020P.0007	ER20-07-P	6-7	20	31.5
1020P.0008	ER20-08-P	7-8	20	31.5
1020P.0009	ER20-09-P	8-9	20	31.5
1020P.0010	ER20-10-P	9-10	20	31.5
1020P.0011	ER20-11-P	10-11	20	31.5
1020P.0012	ER20-12-P	11-12	20	31.5
1020P.0013	ER20-13-P	12-13	20	31.5

DIN 6499 B Collets ER / 内冷ER弹簧夹头


 standard
标准型

Order No. (S) 货号 (标准型)	Size 规格	d 夹持直径	D	L
1020I.0003	ER20-03-IC	2-3	20	31.5
1020I.0004	ER20-04-IC	3-4	20	31.5
1020I.0005	ER20-05-IC	4-5	20	31.5
1020I.0006	ER20-06-IC	5-6	20	31.5
1020I.0007	ER20-07-IC	6-7	20	31.5
1020I.0008	ER20-08-IC	7-8	20	31.5
1020I.0009	ER20-09-IC	8-9	20	31.5
1020I.0010	ER20-10-IC	9-10	20	31.5
1020I.0011	ER20-11-IC	10-11	20	31.5
1020I.0012	ER20-12-IC	11-12	20	31.5
1020I.0013	ER20-13-IC	12-13	20	31.5

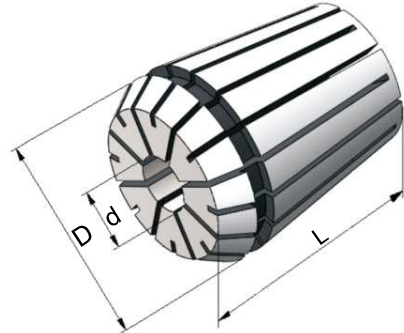
DIN 6499 B Collets ER / ER 弹簧夹头


 standard
标准型

Order No. (S) 货号 (标准型)	Size 规格	d 夹持直径	D	L
1025.0002	ER25-02	1.5-2	26	34
1025.0003	ER25-03	2-3	26	34
1025.0004	ER25-04	3-4	26	34
1025.0005	ER25-05	4-5	26	34
1025.0006	ER25-06	5-6	26	34
1025.0007	ER25-07	6-7	26	34
1025.0008	ER25-08	7-8	26	34
1025.0009	ER25-09	8-9	26	34
1025.0010	ER25-10	9-10	26	34
1025.0011	ER25-11	10-11	26	34
1025.0012	ER25-12	11-12	26	34
1025.0013	ER25-13	12-13	26	34
1025.0014	ER25-14	13-14	26	34
1025.0015	ER25-15	14-15	26	34
1025.0016	ER25-16	15-16	26	34



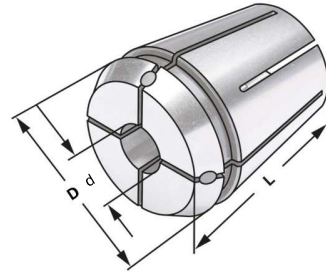
DIN 6499 B Collets ER / 高精度ER弹簧夹头



precision
高精度型

Order No. (S) 货号 (标准型)	Size 规格	d 夹持直径	D	L
1025P.0002	ER25-02-P	1.5-2	25	34
1025P.0003	ER25-03-P	2-3	25	34
1025P.0004	ER25-04-P	3-4	25	34
1025P.0005	ER25-05-P	4-5	25	34
1025P.0006	ER25-06-P	5-6	25	34
1025P.0007	ER25-07-P	6-7	25	34
1025P.0008	ER25-08-P	7-8	25	34
1025P.0009	ER25-09-P	8-9	25	34
1025P.0010	ER25-10-P	9-10	25	34
1025P.0011	ER25-11-P	10-11	25	34
1025P.0012	ER25-12-P	11-12	25	34
1025P.0013	ER25-13-P	12-13	25	34
1025P.0014	ER25-14-P	13-14	25	34
1025P.0015	ER25-15-P	14-15	25	34
1025P.0016	ER25-16-P	15-16	25	34

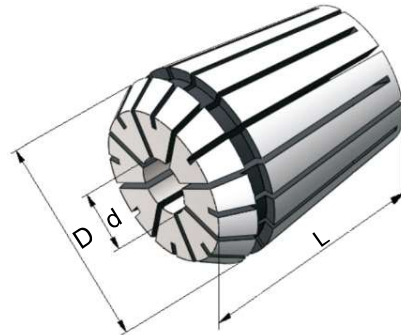
DIN 6499 B Collets ER / 内冷ER弹簧夹头



standard
标准型

Order No. (S) 货号(标准型)	Size 规格	d 夹持直径	D	L
1025I.0003	ER25-03-IC	2-3	25	34
1025I.0004	ER25-04-IC	3-4	25	34
1025I.0005	ER25-05-IC	4-5	25	34
1025I.0006	ER25-06-IC	5-6	25	34
1025I.0007	ER25-07-IC	6-7	25	34
1025I.0008	ER25-08-IC	7-8	25	34
1025I.0009	ER25-09-IC	8-9	25	34
1025I.0010	ER25-10-IC	9-10	25	34
1025I.0011	ER25-11-IC	10-11	25	34
1025I.0012	ER25-12-IC	11-12	25	34
1025I.0013	ER25-13-IC	12-13	25	34
1025I.0014	ER25-14-IC	13-14	25	34
1025I.0015	ER25-15-IC	14-15	25	34
1025I.0016	ER25-16-IC	15-16	25	34

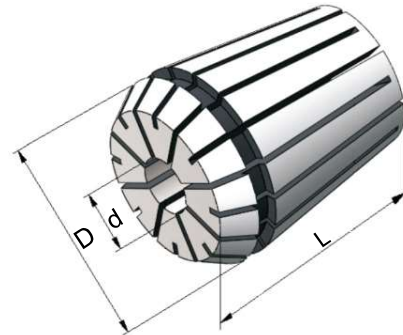
DIN 6499 B Collets ER / ER 弹簧夹头



standard
标准型

Order No. (S) 货号 (标准型)	Size 规格	d 夹持直径	D	L
1032.0002	ER32-02	1.5-2	33	40
1032.0003	ER32-03	2-3	33	40
1032.0004	ER32-04	3-4	33	40
1032.0005	ER32-05	4-5	33	40
1032.0006	ER32-06	5-6	33	40
1032.0007	ER32-07	6-7	33	40
1032.0008	ER32-08	7-8	33	40
1032.0009	ER32-09	8-9	33	40
1032.0010	ER32-10	9-10	33	40
1032.0011	ER32-11	10-11	33	40
1032.0012	ER32-12	11-12	33	40
1032.0013	ER32-13	12-13	33	40
1032.0014	ER32-14	13-14	33	40
1032.0015	ER32-15	14-15	33	40
1032.0016	ER32-16	15-16	33	40
1032.0017	ER32-17	16-17	33	40
1032.0018	ER32-18	17-18	33	40
1032.0019	ER32-19	18-19	33	40
1032.0020	ER32-20	19-20	33	40

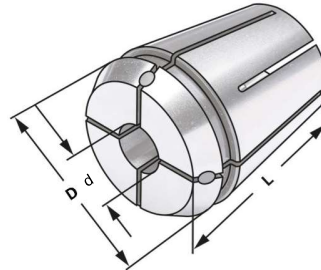
DIN 6499 B Collets ER / 高精密ER弹簧夹头



precision
高精密型

Order No. (S) 货号 (标准型)	Size 规格	d 夹持直径	D	L
1040P.0003	ER40-03-P	2-3	40	46
1040P.0004	ER40-04-P	3-4	40	46
1040P.0005	ER40-05-P	4-5	40	46
1040P.0006	ER40-06-P	5-6	40	46
1040P.0007	ER40-07-P	6-7	40	46
1040P.0008	ER40-08-P	7-8	40	46
1040P.0009	ER40-09-P	8-9	40	46
1040P.0010	ER40-10-P	9-10	40	46
1040P.0011	ER40-11-P	10-11	40	46
1040P.0012	ER40-12-P	11-12	40	46
1040P.0013	ER40-13-P	12-13	40	46
1040P.0014	ER40-14-P	13-14	40	46
1040P.0015	ER40-15-P	14-15	40	46
1040P.0016	ER40-16-P	15-16	40	46
1040P.0017	ER40-17-P	16-17	40	46
1040P.0018	ER40-18-P	17-18	40	46
1040P.0019	ER40-19-P	18-19	40	46
1040P.0020	ER40-20-P	19-20	40	46

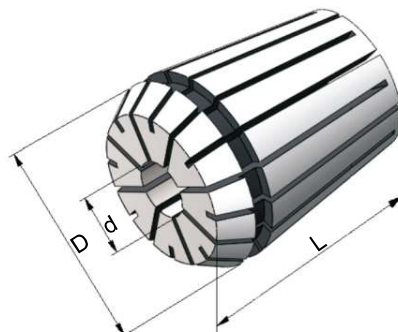
DIN 6499 B Collets ER / 内冷ER弹簧夹头



standard
标准型

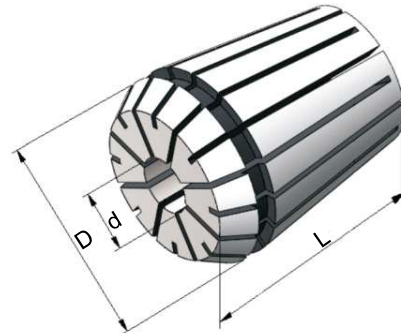
Order No. (S) 货号 (标准型)	Size 规格	d 夹持直径	D	L
1032I.0003	ER32-03-IC	2-3	32	40
1032I.0004	ER32-04-IC	3-4	32	40
1032I.0005	ER32-05-IC	4-5	32	40
1032I.0006	ER32-06-IC	5-6	32	40
1032I.0007	ER32-07-IC	6-7	32	40
1032I.0008	ER32-08-IC	7-8	32	40
1032I.0009	ER32-09-IC	8-9	32	40
1032I.0010	ER32-10-IC	9-10	32	40
1032I.0011	ER32-11-IC	10-11	32	40
1032I.0012	ER32-12-IC	11-12	32	40
1032I.0013	ER32-13-IC	12-13	32	40
1032I.0014	ER32-14-IC	13-14	32	40
1032I.0015	ER32-15-IC	14-15	32	40
1032I.0016	ER32-16-IC	15-16	32	40
1032I.0017	ER32-17-IC	16-17	32	40
1032I.0018	ER32-18-IC	17-18	32	40
1032I.0019	ER32-19-IC	18-19	32	40
1032I.0020	ER32-20-IC	19-20	32	40

DIN 6499 B Collets ER / ER 弹簧夹头


 standard
标准型

Order No. (S) 货号 (标准型)	Size 规格	d 夹持直径	D	L
1040.0003	ER40-03	2-3	41	46
1040.0004	ER40-04	3-4	41	46
1040.0005	ER40-05	4-5	41	46
1040.0006	ER40-06	5-6	41	46
1040.0007	ER40-07	6-7	41	46
1040.0008	ER40-08	7-8	41	46
1040.0009	ER40-09	8-9	41	46
1040.0010	ER40-10	9-10	41	46
1040.0011	ER40-11	10-11	41	46
1040.0012	ER40-12	11-12	41	46
1040.0013	ER40-13	12-13	41	46
1040.0014	ER40-14	13-14	41	46
1040.0015	ER40-15	14-15	41	46
1040.0016	ER40-16	15-16	41	46
1040.0017	ER40-17	16-17	41	46
1040.0018	ER40-18	17-18	41	46
1040.0019	ER40-19	18-19	41	46
1040.0020	ER40-20	19-20	41	46
1040.0021	ER40-21	20-21	41	46
1040.0022	ER40-22	21-22	41	46
1040.0023	ER40-23	22-23	41	46
1040.0024	ER40-24	23-24	41	46
1040.0025	ER40-25	24-25	41	46
1040.0026	ER40-26	25-26	41	46

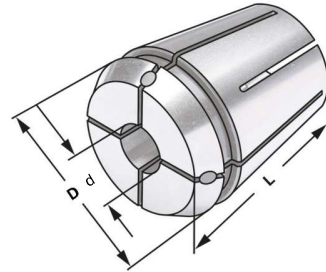
DIN 6499 B Collets ER / 高精度ER弹簧夹头



precision
高精度型

Order No. (S) 货号 (标准型)	Size 规格	d 夹持直径	D	L
1040P.0003	ER40-03-P	2-3	40	46
1040P.0004	ER40-04-P	3-4	40	46
1040P.0005	ER40-05-P	4-5	40	46
1040P.0006	ER40-06-P	5-6	40	46
1040P.0007	ER40-07-P	6-7	40	46
1040P.0008	ER40-08-P	7-8	40	46
1040P.0009	ER40-09-P	8-9	40	46
1040P.0010	ER40-10-P	9-10	40	46
1040P.0011	ER40-11-P	10-11	40	46
1040P.0012	ER40-12-P	11-12	40	46
1040P.0013	ER40-13-P	12-13	40	46
1040P.0014	ER40-14-P	13-14	40	46
1040P.0015	ER40-15-P	14-15	40	46
1040P.0016	ER40-16-P	15-16	40	46
1040P.0017	ER40-17-P	16-17	40	46
1040P.0018	ER40-18-P	17-18	40	46
1040P.0019	ER40-19-P	18-19	40	46
1040P.0020	ER40-20-P	19-20	40	46
1040P.0021	ER40-21-P	20-21	40	46
1040P.0022	ER40-22-P	21-22	40	46
1040P.0023	ER40-23-P	22-23	40	46
1040P.0024	ER40-24-P	23-24	40	46
1040P.0025	ER40-25-P	24-25	40	46
1040P.0026	ER40-26-P	25-26	40	46

DIN 6499 B Collets ER / 内冷ER弹簧夹头


 standard
标准型

Order No. (S) 货号(标准型)	Size 规格	d 夹持直径	D	L
1040I.0003	ER40-03-IC	2-3	40	46
1040I.0004	ER40-04-IC	3-4	40	46
1040I.0005	ER40-05-IC	4-5	40	46
1040I.0006	ER40-06-IC	5-6	40	46
1040I.0007	ER40-07-IC	6-7	40	46
1040I.0008	ER40-08-IC	7-8	40	46
1040I.0009	ER40-09-IC	8-9	40	46
1040I.0010	ER40-10-IC	9-10	40	46
1040I.0011	ER40-11-IC	10-11	40	46
1040I.0012	ER40-12-IC	11-12	40	46
1040I.0013	ER40-13-IC	12-13	40	46
1040I.0014	ER40-14-IC	13-14	40	46
1040I.0015	ER40-15-IC	14-15	40	46
1040I.0016	ER40-16-IC	15-16	40	46
1040I.0017	ER40-17-IC	16-17	40	46
1040I.0018	ER40-18-IC	17-18	40	46
1040I.0019	ER40-19-IC	18-19	40	46
1040I.0020	ER40-20-IC	19-20	40	46
1040I.0021	ER40-21-IC	20-21	40	46
1040I.0022	ER40-22-IC	21-22	40	46
1040I.0023	ER40-23-IC	22-23	40	46
1040I.0024	ER40-24-IC	23-24	40	46
1040I.0025	ER40-25-IC	24-25	40	46
1040I.0026	ER40-26-IC	25-26	40	46