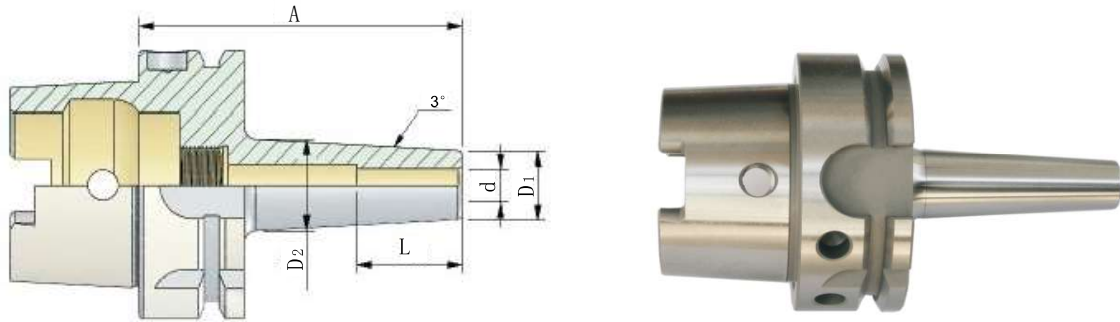




TOOL HOLDER / 刀柄 DIN 69893-1 (HSK-A)

HSK-A50 3° Shrink / HSK-A50 3° 热缩刀柄



G2.5 25,000min⁻¹

4Xd ↗ ≤ 0.005

HSK-A50 3° 热缩刀柄

| Order No. 货号 | Size 规格 | d 夹持直径 | D1 | D2 | L | A 有效长度 | |
|-----------------|------------------|-----------|-----|------|----|-----------|----|
| 54.8104.60 | HSK-A50-SF4-60 | 4 | 9 | 18.6 | 12 | 60 | |
| 54.8105.60 | HSK-A50-SF5-60 | 5 | 10 | 19.6 | 15 | | |
| 54.8106.60 | HSK-A50-SF6-60 | 6 | 11 | | 25 | | |
| 54.8108.80 | HSK-A50-SF8-80 | 8 | 12 | 21.6 | 25 | 80 | |
| 54.8108.120 | HSK-A50-SF8-120 | | 120 | | | | |
| 54.8110.80 | HSK-A50-SF10-80 | 10 | 14 | 23.6 | 32 | 80 | |
| 54.8110.120 | HSK-A50-SF10-120 | | | | | 120 | |
| 54.8112.85 | HSK-A50-SF12-85 | 12 | 16 | 25.6 | 38 | 85 | |
| 54.8112.120 | HSK-A50-SF12-120 | | | | | 120 | |
| 54.8114.90 | HSK-A50-SF14-90 | | | | | 14 | 18 |
| 54.8114.120 | HSK-A50-SF14-120 | 120 | | | | | |
| 54.8116.90 | HSK-A50-SF16-90 | 16 | 20 | 29.6 | 40 | 90 | |
| 54.8116.12 | HSK-A50-SF16-120 | | | | | 120 | |
| 54.8118.95 | HSK-A50-SF18-95 | 18 | 22 | 31.6 | 42 | 95 | |
| 54.8118.120 | HSK-A50-SF18-120 | | | | | 120 | |
| 54.8120.100 | HSK-A50-SF20-100 | 20 | 22 | 31.6 | 44 | 100 | |
| 54.8120.120 | HSK-A50-SF20-120 | | | | | 120 | |

DIN 69893 (HSK)