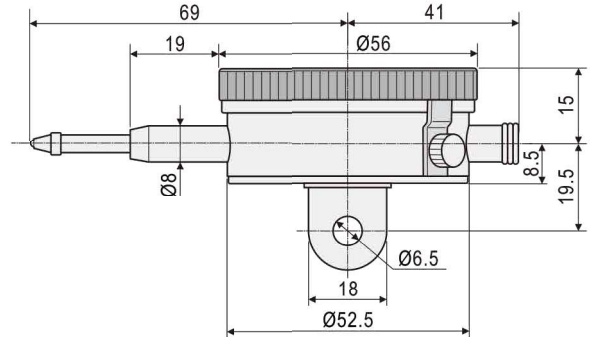


10mm 量程百分表
Dial Indicator(10mm)



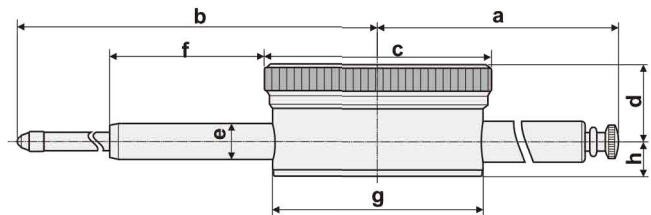
货号后加D为带耳后盖
D (With Back Lug)

货号 Code NO.	分度值 Readings mm	测量范围 Measuring Range mm	表盘读数 Dial reading	表圈外径 Ring diameter mm
321-123-4	0.01	0-10	0-100	Ø56

大量程百分表
Large Range Dial Indicator



货号后加D为带耳后盖
D (With Back Lug)



货号 Code NO.	分度值 Readings mm	测量范围 Measuring Range mm	表盘读数 Dial reading	表圈外径 Ring diameter mm	a mm	b mm	c mm	d mm	e mm	f mm	g mm	h mm
321-132	0.01	0-20	0-100	Ø58	37.5	81.6	Ø58	16.3	Ø8	17.5	Ø53.5	8.4
321-133	0.01	0-25	0-100	Ø58	37.5	81.6	Ø58	16.3	Ø8	17.5	Ø53.5	8.4
321-134	0.01	0-30	0-100	Ø58	37.5	86.8	Ø58	19.2	Ø8	19.5	Ø53.5	8.0
321-141	0.01	0-50	0-100	Ø58	108.3	126.2	Ø58	19.2	Ø8	39.5	Ø53.5	8.0
321-142	0.01	0-80	0-100	Ø58	138.4	168.4	Ø58	19.2	Ø8	51.3	Ø53.5	8.0
321-143	0.01	0-100	0-100	Ø78	167.6	207.8	Ø78	19.8	Ø10	60.8	Ø69	9.0
321-223	.001"	0-.25"	0-100	Ø2.362"	40	81.5	Ø60	16	Ø3/8"	17	Ø53	
321-233	.001"	0-.5"	0-100	Ø2.362"	40	68	Ø60	16	Ø3/8"	17	Ø53	
321-234	.0005"	0-.5"	0-100	Ø2.362"	40	68	Ø60	16	Ø3/8"	17	Ø53	
321-234-1	.001"	0-.5"	0-100	Ø2.165"	47.5	18.5	Ø56	16	Ø3/8"	15	Ø50	
321-235	.001"	0-1.0"	0-100	Ø2.362"	40	81.5	Ø60	16	Ø3/8"	17	Ø53	
321-236	.0005"	0-1.0"	0-100	Ø2.362"	40	81.5	Ø60	16	Ø3/8"	17	Ø53	
321-237	.001"	0-2.0"	0-100	Ø2.362"	124	142	Ø60	16	Ø3/8"	44	Ø53	
321-237-1	.001"	0-2.0"	0-100	Ø2.362"	124	142	Ø60	16	Ø3/8"	44	Ø53	