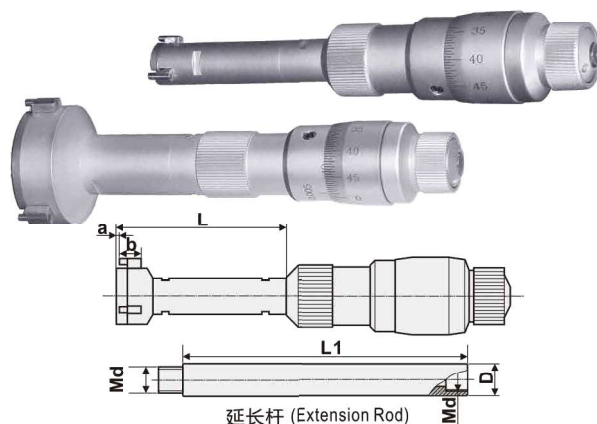


三点内径千分尺

Three-points Inside Micrometer


主要特点:

- 硬质合金测量表面(测砧)确保高耐磨度, 三爪硬质合金圆柱不易磨损
- 可接近盲孔底端进行测量
- 内置式限力装置, 确保精确的重复读数
- 通过精密环规(选件)进行零点调节

FEATURES

- Highly durable because of carbide-tipped contact points (anvils)
- Measurement can be taken closer to the bottom of a blind bore
- Built-in force limiting device ensures accuracy of repeat reading
- Setting rings for zero point adjustment are optional

套装型(13件/套) Set(13pcs/set)

货号 Code NO.	测量范围 Measuring Range mm	环规 Setting Ring	延长杆 Extension Rod
271-151	6-8	Ø6	271-151-JG-A
	8-10		
	10-12		
271-154A	12-16	Ø16	271-154A-JG
	16-20		
271-157A	20-25	Ø25	271-157-JG 271-157A-JG
	25-30		
	30-40		
	40-50		
271-161A	50-63	Ø62	271-161A-JG
	62-75		
	75-88		
	87-100		

单件(13件/套) Single(13pcs/set)

货号 Code NO.	测量范围 Measuring Range mm	环规 Setting Ring	分度值 Graduation mm	精度 Accuracy mm	L mm	a mm	b mm
271-151-1	6-8	Ø8	0.001	0.004	56	0.6	2.5
271-151-2	8-10	Ø8	0.001	0.004	56	0.6	2.5
271-151-3	10-12	Ø10	0.001	0.004	56	0.6	2.5
271-154A-1	12-16	Ø16	0.005	0.004	76	0.3	6
271-154A-2	16-20	Ø16	0.005	0.004	76	0.3	6
271-157-1	20-25	Ø25	0.005	0.004	84	0.5	9
271-157-2	25-30	Ø25	0.005	0.004	84	0.5	9
271-157A-3	30-40	Ø35	0.005	0.004	96	0.5	14
271-157A-4	40-50	Ø40	0.005	0.005	96	0.5	14
271-161A-1	50-63	Ø50	0.005	0.005	100	0.5	16.5
271-161A-2	62-75	Ø62	0.005	0.005	100	0.5	16.5
271-161A-3	75-88	Ø87	0.005	0.005	100	0.5	16.5
271-161A-4	87-100	Ø87	0.005	0.005	100	0.5	16.5

套装型(16件/套) Set(16pcs/set)

货号 Code NO.	测量范围 Measuring Range mm	环规 Setting Ring	延长杆 Extension Rod
271-151	6-8	Ø8 Ø10	271-151-JG
	8-10		
	10-12		
271-154	11-14	Ø11 Ø17	271-154-JG
	14-17		
	17-20		
271-157	20-25	Ø25 Ø35	271-157-JG
	25-30		
	30-35		
	35-40		
271-161	40-50	Ø50 Ø70 Ø70 Ø90	271-161-JG
	50-60		
	60-70		
	70-80		
	80-90		
	90-100		

单件(16件/套) Single(16pcs/set)

货号 Code NO.	测量范围 Measuring Range mm	环规 Setting Ring	分度值 Graduation mm	精度 Accuracy mm	L mm	a mm	b mm
271-151-1	6-8	Ø8	0.001	0.004	56	0.6	2.5
271-151-2	8-10	Ø8	0.001	0.004	56	0.6	2.5
271-151-3	10-12	Ø10	0.001	0.004	56	0.6	2.5
271-154-1	11-14	Ø11	0.005	0.004	76	0.3	6
271-154-2	14-17	Ø17	0.005	0.004	76	0.3	6
271-154-3	17-20	Ø17	0.005	0.004	76	0.3	6
271-157-1	20-25	Ø25	0.005	0.004	84	0.5	9
271-157-2	25-30	Ø25	0.005	0.004	84	0.5	9
271-157-3	30-35	Ø35	0.005	0.004	84	0.5	9
271-157-4	35-40	Ø35	0.005	0.004	84	0.5	9
271-161-1	40-50	Ø40	0.005	0.005	98	0.5	14.5
271-161-2	50-60	Ø50	0.005	0.005	98	0.5	14.5
271-161-3	60-70	Ø60	0.005	0.005	98	0.5	14.5
271-161-4	70-80	Ø70	0.005	0.005	98	0.5	14.5
271-161-5	80-90	Ø80	0.005	0.005	98	0.5	14.5
271-161-6	90-100	Ø90	0.005	0.005	98	0.5	14.5

延长杆(Extension Rod)

货号 Code NO.	L1 mm	D mm	Md mm	适用型号 Applicable Models
271-151-JG	50	5.8	M5x0.5	271-151-1, 271-151-2, 271-151-3
271-151-JG-A	100	5.8	M5x0.5	271-151-1, 271-151-2, 271-151-3
271-154-JG	100	10.8	M8.5x0.5	271-154-1, 271-154-2, 271-154-3
271-154A-JG	150	10.8	M8.5x0.5	271-154A-1, 271-154A-2
271-157-JG	150	17	M14x0.75	271-157-1, 271-157-2, 271-157-3, 271-157-4
271-157A-JG	150	18	M16x1	271-157A-3, 271-157A-4
271-161-JG	150	22	M18x1.5	271-161-1, 271-161-2, 271-161-3, 271-161-4, 271-161-5, 271-161-6
271-161A-JG	150	24	M20x1.5	271-161A-1, 271-161A-2, 271-161A-3, 271-161A-4

