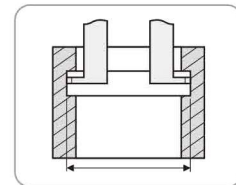


刀头内沟槽带表卡尺

Dial Caliper with Knife-edged Measuring Points for Inside Grooves

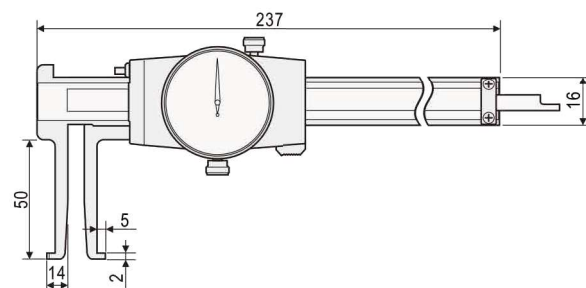


主要特点:

- 测头较薄, 便于测量孔内较窄沟槽尺寸
- 读数清晰、直观
- 刻度盘位置可调整, 并借助锁紧螺钉紧固

FEATURES

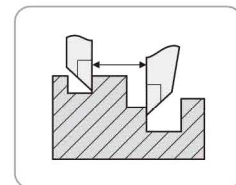
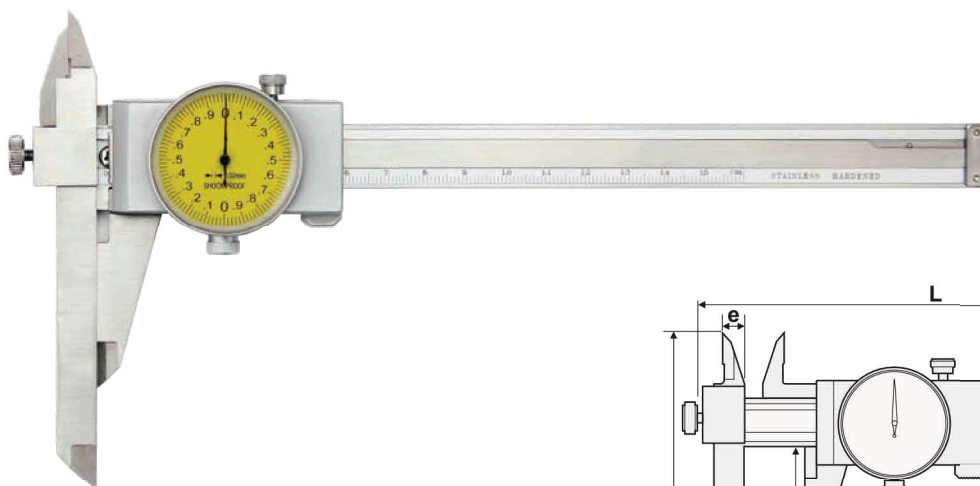
- With thin measuring heads, easy to measure the narrow groove dimensions of a hole
- Easy to read
- The adjustable dial face can be fastened by a clamping screw



货号 Code NO.	测量范围 Measuring Range mm	分度值 Graduation mm	精度 Accuracy mm	示值/周 Range/rev.
175-632	16-150	0.02	±0.04	2

伸缩爪带表卡尺

Dial Caliper with an Adjustable Measuring Jaw

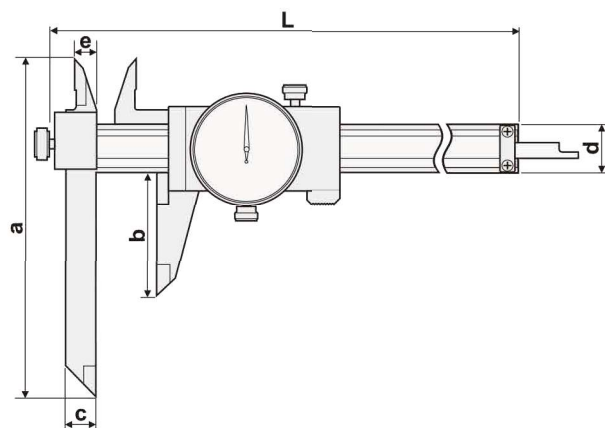


主要特点:

- 尺身爪可伸缩移动, 可测量不等高平面的距离
- 读数清晰、直观
- 刻度盘位置可调整, 并借助锁紧螺钉紧固

FEATURES

- Main scale jaw can be slid up and down to facilitate measurement of stepped sections
- Easy to read
- The adjustable dial face can be fastened by a clamping screw



货号 Code NO.	测量范围 Measuring Range mm	分度值 Graduation mm	精度 Accuracy mm	示值/周 Range/rev.	L	a	b	c	d	e
177-132	0-150	0.02	±0.04	2	240	110	40	10	16	7
177-134	0-200	0.02	±0.05	2	290	120	50	10	16	7

F