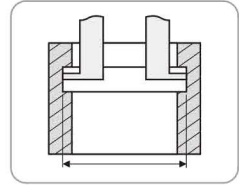


扁头内沟槽带表卡尺

Dial Caliper with Flat Measuring Points for Inside Grooves



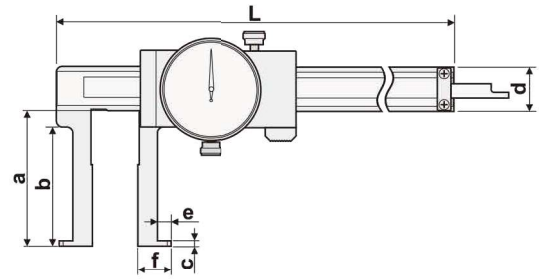
主要特点:

- 测头较薄，便于测量孔内较窄沟槽尺寸
- 读数清晰、直观
- 刻度盘位置可调整，并借助锁紧螺钉紧固

FEATURES

- With thin measuring heads, easy to measure the narrow groove dimensions of a hole
- Easy to read
- The adjustable dial face can be fastened by a clamping screw

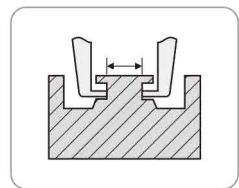
货号 Code NO.	测量范围 Measuring Range mm	分度值 Graduation mm	精度 Accuracy mm	示值/周 Range/rev.	L mm	a mm	b mm	c mm	d mm	e mm	f mm
175-132-0	20-150	0.02	±0.04	2	236	40	34	1	16	3	10
175-132	25-150	0.02	±0.04	2	236	50	44	1.5	16	5	12.5
175-134	20-200	0.02	±0.04	2	286	40	34	1.5	16	3	10
175-134-1	25-200	0.02	±0.04	2	286	50	44	1.5	16	5	12.5
175-134-2	30-200	0.02	±0.04	2	286	60	54	1.5	16	6	15



F

扁头外沟槽带表卡尺

Dial Caliper with Flat Measuring Points for Outside Grooves

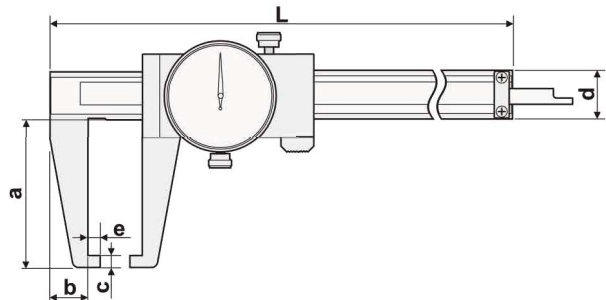


主要特点:

- 可从端部测量轴尺寸及零件表面沟槽直径
- 读数清晰、直观
- 刻度盘位置可调整，并借助锁紧螺钉紧固

FEATURES

- For measuring the diameter of outside groove of a workplace
- Easy to read
- The adjustable dial face can be fastened by a clamping screw



货号 Code NO.	测量范围 Measuring Range mm	分度值 Graduation mm	精度 Accuracy mm	示值/周 Range/rev.	L mm	a mm	b mm	c mm	d mm	e mm
174-132-0	0-150	0.02	±0.04	2	247	40	13	2	16	5
174-132	0-150	0.02	±0.04	2	247	50	13	2	16	5
174-134-1	0-200	0.02	±0.04	2	297	60	13	2	16	5