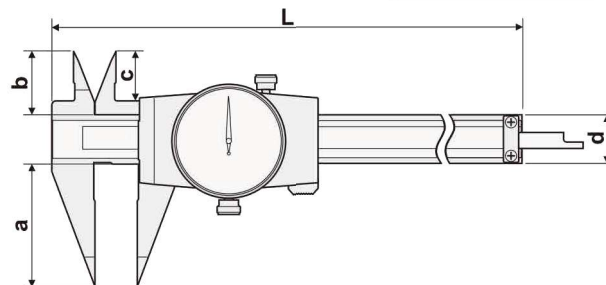
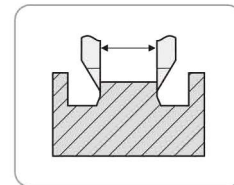


细尖爪带表卡尺

Dial Caliper with Narrow-tipped Jaws



主要特点:

- 测量窄小空间的局部尺寸
- 读数清晰、直观
- 刻度盘位置可调整，并借助锁紧螺钉紧固

FEATURES

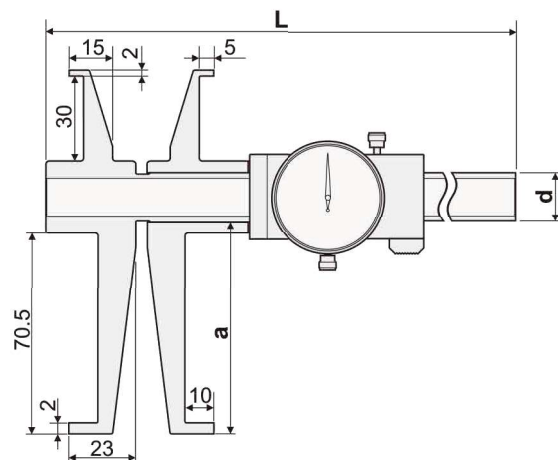
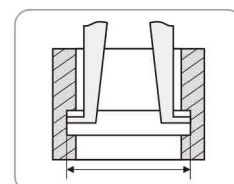
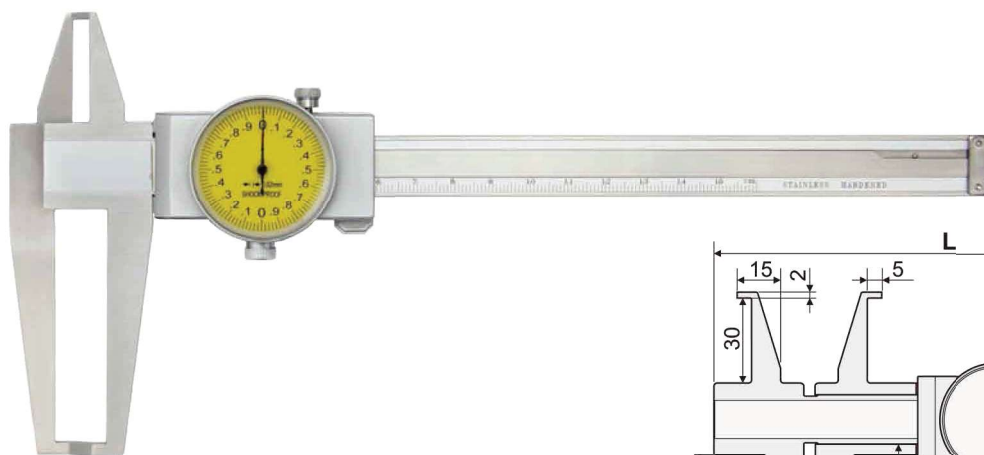
- The narrow pointed jaws used for small grooves measurements
- Easy to read
- The adjustable dial face can be fastened by a clamping screw

货号 Code NO.	测量范围 Measuring Range mm	分度值 Graduation mm	精度 Accuracy mm	示值/周 Range/rev.	L mm	a mm	b mm	c mm	d mm
171-732	0-150	0.02	±0.04	2	236	40	21	16.5	16
171-734	0-200	0.02	±0.04	2	286	50	24	19.5	16
171-736	0-300	0.02	±0.05	2	400	60	25	18.5	17

F

刀头双内沟带表卡尺

Double Inside Groove Dial Caliper with Knife-edged Measuring Faces



主要特点:

- 便于测量小孔内的内沟槽尺寸
- 读数清晰、直观
- 刻度盘位置可调整，并借助锁紧螺钉紧固

FEATURES

- Used for measuring the inside groove in small hole
- Easy to read
- The adjustable dial face can be fastened by a clamping screw

货号 Code NO.	测量范围 Measuring Range mm	分度值 Graduation mm	精度 Accuracy mm	示值/周 Range/rev.	L mm	a mm	d mm
175-832	上爪:10-150 下爪:18-150	0.02	±0.03	2	244.5	75	16
175-834	上爪:10-200 下爪:18-200	0.02	±0.03	2	294.5	75	16
175-836	上爪:10-300 下爪:18-300	0.02	±0.04	2	407	77	17