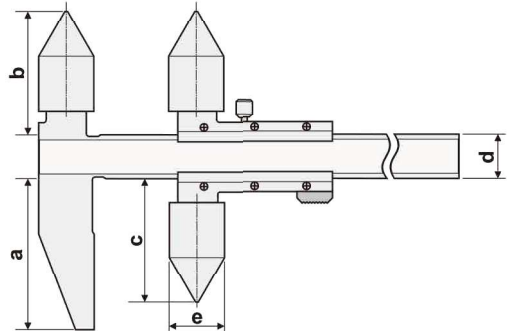
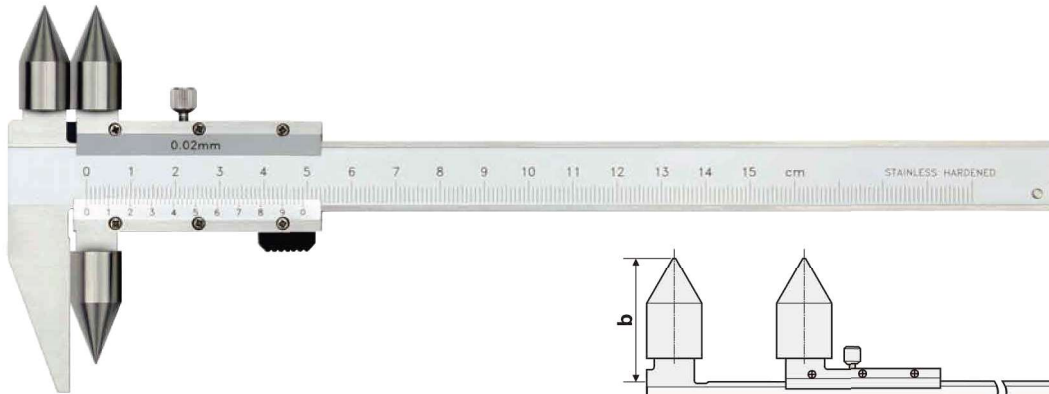


边心距游标卡尺

Center & Edge Distance Vernier Caliper



主要特点:

- 测量孔中心距、孔边距尺寸
- 圆锥测头

FEATURES

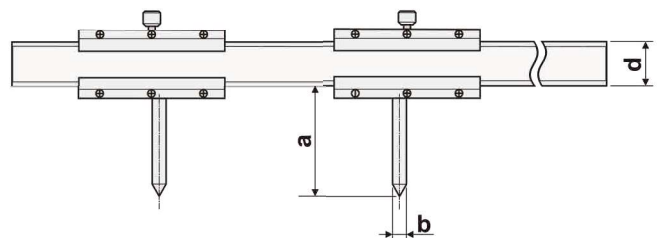
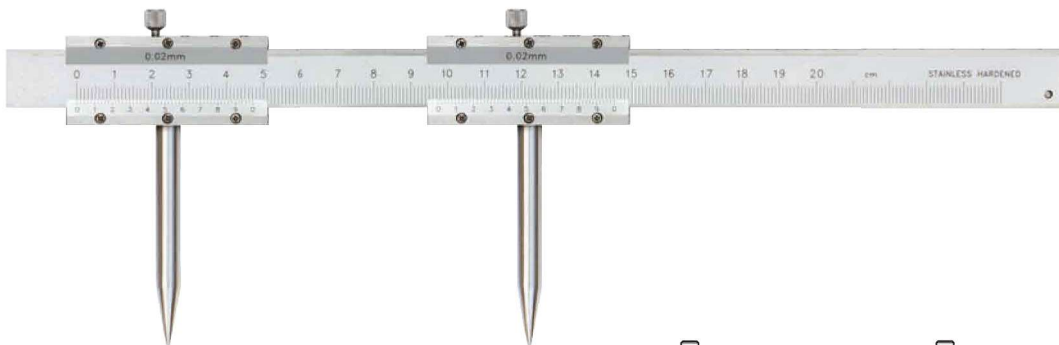
- For measuring hole Center-to-Center and Edge-to-Center distances
- Conical measuring poles

货号 Code NO.	测量范围 Measuring Range mm	分度值 Graduation mm	精度 Accuracy mm	a mm	b mm	c mm	d mm	e mm
149-252K	10-150	0.02	± 0.04	55	45	45	16	Ø20
149-254K	10-200	0.02	± 0.04	55	45	45	16	Ø20
149-256K	10-300	0.02	± 0.05	55	45	45	16	Ø20

F

游标划线圆规

Vernier Caliper for Scribing



主要特点:

- 便于在工件上划圆弧、线段
- 测量两孔中心距

FEATURES

- Easy for scribing arc and line
- Used for measuring center distance of two holes

货号 Code NO.	测量范围 Measuring Range mm	分度值 Graduation mm	精度 Accuracy mm	a mm	b mm	d mm
159-354K	30-200	0.02	± 0.04	40	Ø5	16
159-358K	40-500	0.02	± 0.06	40	Ø5	24
159-362K	40-1000	0.02	± 0.08	80	Ø10	31