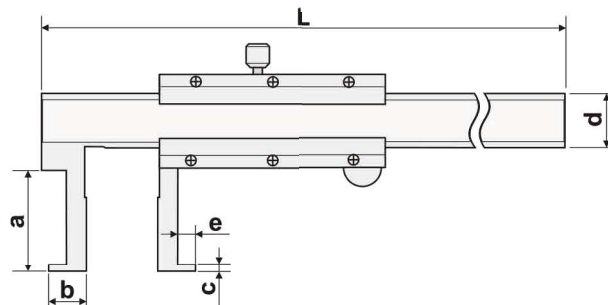
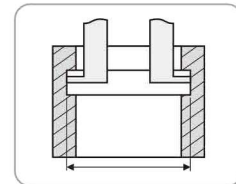
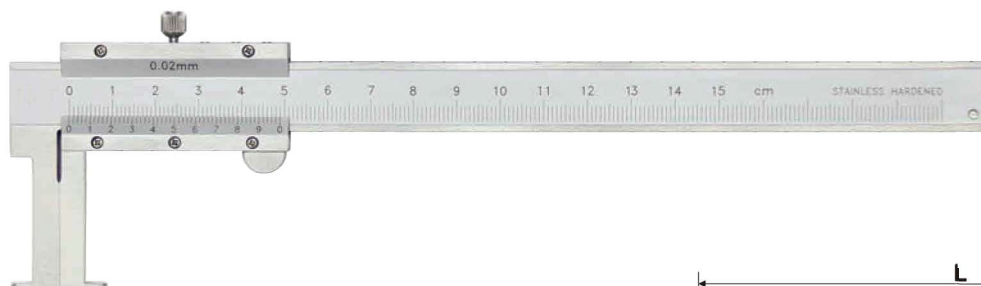


扁头内沟槽游标卡尺

Vernier Caliper with Flat Measuring Point for Inside Grooves



主要特点:

- 可测量较小孔内沟槽尺寸

FEATURES

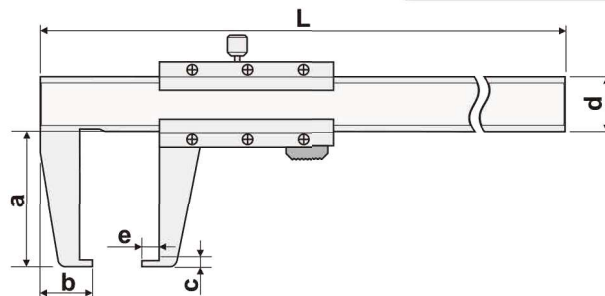
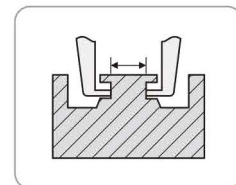
- Facilitate measurement of a diameter of an inside groove in a smaller hole

货号 Code NO.	测量范围 Measuring Range mm	分度值 Graduation mm	精度 Accuracy mm	L mm	a mm	b mm	c mm	d mm	e mm
145-221K	18-150	0.02	±0.04	236	22	9	2	16	5
145-222K	25-200	0.02	±0.04	286	40	12.5	2	16	5
145-223K	30-300	0.02	±0.05	400	50	15	2	16	5
145-225K	40-500	0.02	±0.06	680	90	20	2	20	5

F

扁头外沟槽游标卡尺

Vernier Caliper with Flat Measuring Points for Outside Grooves



主要特点:

- 可从端部测量较大尺寸轴及零件表面沟槽直径

FEATURES

- Can measure the diameter of outside groove of work piece

货号 Code NO.	测量范围 Measuring Range mm	分度值 Graduation mm	精度 Accuracy mm	L mm	a mm	b mm	c mm	d mm	e mm
144-201K	0-150	0.02	±0.03	255	40	20	1	16	5
144-201-1K	0-150	0.02	±0.03	255	70	22	2	16	7
144-202K	0-200	0.02	±0.03	311	50	25	2	16	8
144-202-1K	0-200	0.02	±0.03	311	80	25	2	16	8
144-203K	0-300	0.02	±0.04	470	60	35	2.5	20	15
144-203-1K	0-300	0.02	±0.04	470	100	35	2.5	20	15