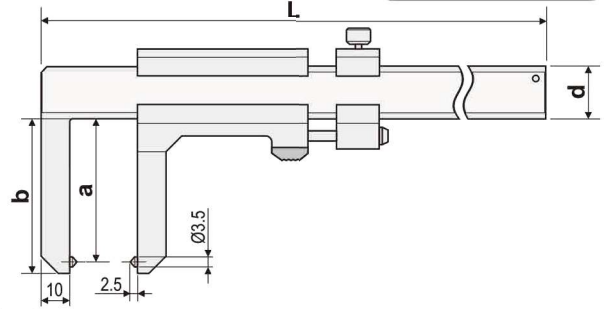
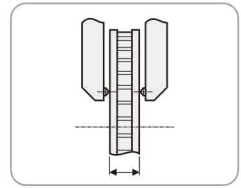
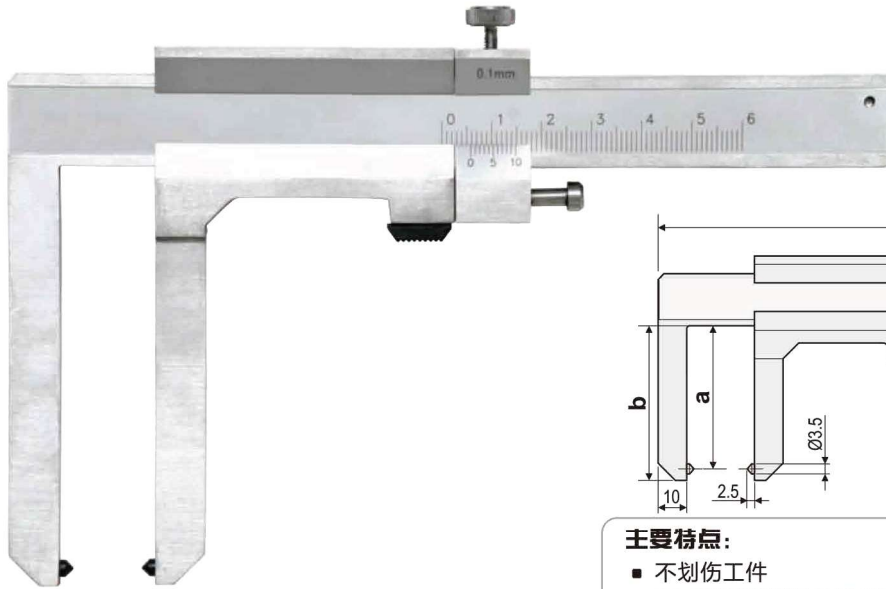


刹车片游标卡尺

Disc Brake Vernier Caliper



主要特点:

- 不划伤工件
- 在不便观察测量结果情况下, 可保持测量数值

FEATURES

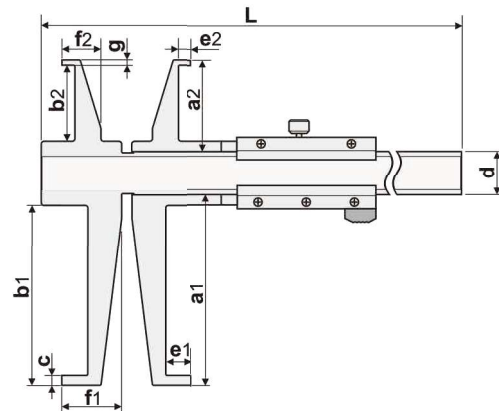
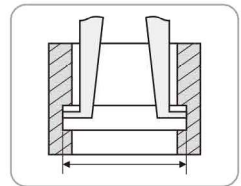
- It will not scratch any workpieces
- Measurement data can be hold when it's difficult to read

货号 Code NO.	测量范围 Measuring Range mm	分度值 Graduation mm	精度 Accuracy mm	L mm	a mm	b mm	d mm
142-180	0-50	0.1	±0.1	175	50	53.5	18.5
142-180-1	0-50	0.1	±0.1	175	80	83.5	18.5
142-181	0-100	0.1	±0.1	225	120	123.5	18.5

F

开式刀头双内沟游标卡尺

Vernier Caliper with Knife-edged Measuring Faces for Inside Grooves



主要特点:

- 测头较薄, 便于测量孔内较窄沟槽尺寸

FEATURES

- Facilitate measurement of a diameter of a narrow groove in a hole through thinner jaws

货号 Code NO.	测量范围 Measuring Range mm	分度值 Graduation mm	精度 Accuracy mm	L mm	a1 mm	a2 mm	b1 mm	b2 mm	c mm	d mm	e1 mm	e2 mm	f1 mm	f2 mm	g mm
145-200AK	上爪:10-125 下爪:18-125	0.02	±0.03	230	73.5	35.2	70.5	29.2	2.9	16	5	4	17	11	2
145-202AK	上爪:10-150 下爪:18-150	0.02	±0.03	258	73.5	35.2	69.5	29.2	3.8	17	10	5	23	15	2
145-204AK	上爪:10-200 下爪:18-200	0.02	±0.03	309	73.5	35.2	69.5	29.2	3.8	17	10	5	23	15	2
145-206AK	上爪:10-300 下爪:18-300	0.02	±0.04	409	73.5	35.2	69.5	29.2	3.8	17	10	5	23	15	2