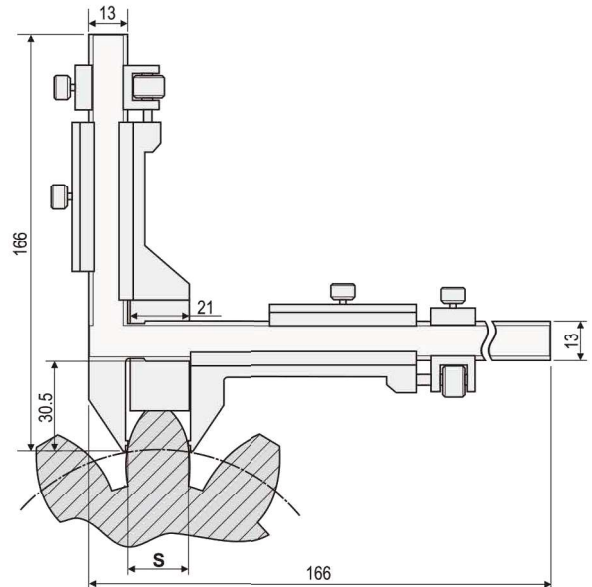
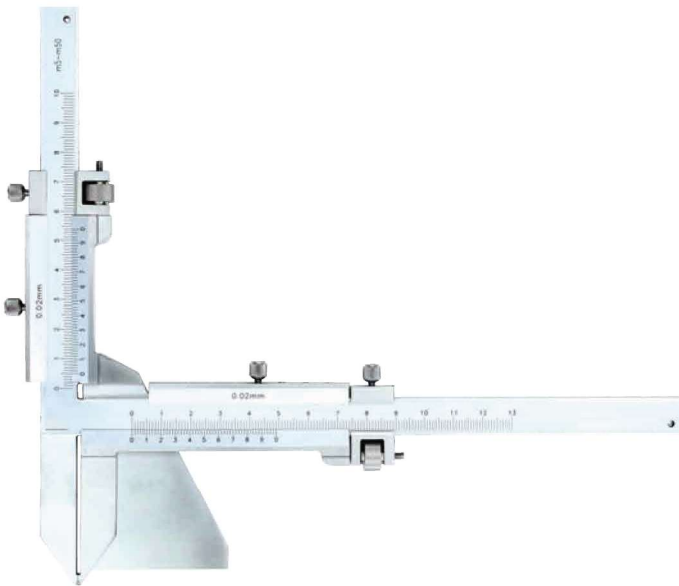


**齿厚游标卡尺**

Vernier Gear Tooth Caliper



**主要特点:**

- 测量齿轮齿厚的尺寸

**FEATURES**

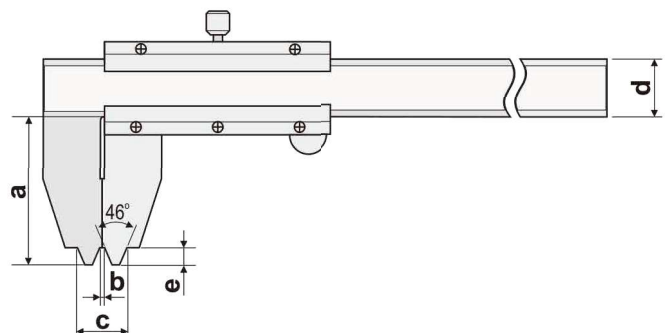
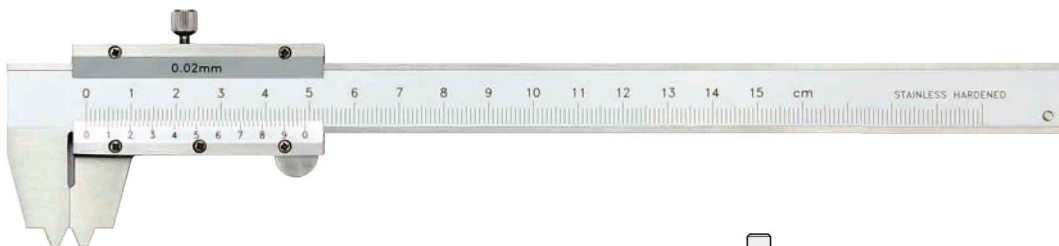
- Facilitate measurement of gear thickness

货号 Code NO.	测量范围 Measuring Range mm	分度值 Graduation mm	精度 Accuracy mm
148-112	m1-m26	0.02	± 0.03
148-114	m5-m50	0.02	± 0.04
148-116K	m15-m55	0.02	± 0.04

F

**油槽游标卡尺**

Special Vernier Caliper for Seal Grooves



**主要特点:**

- 用于测量石油管道阀门法兰密封槽
- 可测量环槽内、外径尺寸
- 量爪角度：23°

**FEATURES**

- For measuring the seal groove in valve flange and pipe flange
- For measuring OD of the ring groove
- The jaws' angle is 23°

货号 Code NO.	测量范围 Measuring Range mm	分度值 Graduation mm	精度 Accuracy mm	a mm	b mm	c mm	d mm	e mm
145-203KY	0-300	0.02	± 0.05	50	2	20	16	7
145-205KY	0-500	0.02	± 0.06	50	2	25	24	7