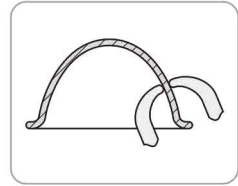
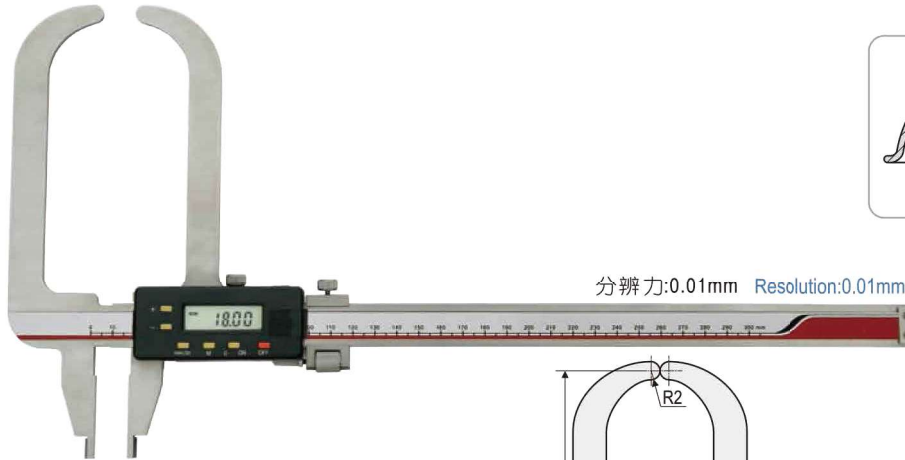


头盔壁厚数显卡尺

Digital Caliper with Half-round Jaws

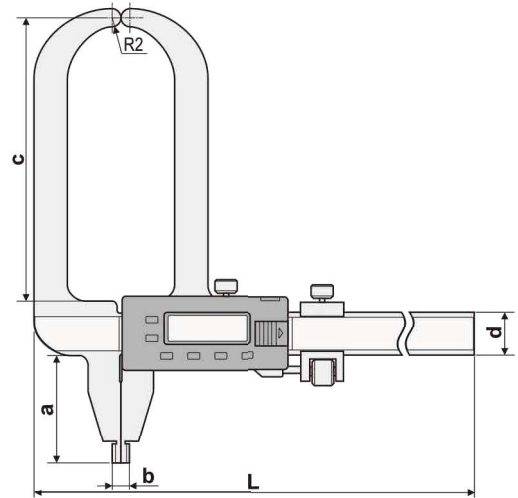


主要特点:

- 弧形上爪专用于测量各种头盔、球顶、弧形锅底的壁厚，使用方便
- 下爪可用于测量内外径
- 任意位置清零，便于相对测量与绝对测量转换
- 任意位置公制与英制转换
- 带预置功能，带数据保持功能，带微调装置

FEATURES

- Functions and features: easy used for helmet and arc-type thickness measurements
- Lower tips easy for ID measurements
- Zero-setting at any position, convenient for relative and absolute measure conversion
- Mm/inch conversion at any position
- With preset function, data hold and with fine-adjustment device



货号 Code NO.	测量范围 Measuring Range mm	精度 Accuracy mm	L mm	a mm	b mm	c mm	d mm
111-502T2	0-300	±0.05	500	60	10	157.5	24

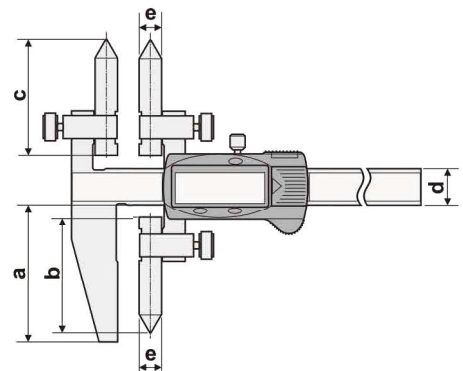
F

边心距数显卡尺

Center & Edge Distance Digital Caliper



分辨率:0.01mm
Resolution:0.01mm



主要特点:

- 测量孔中心距、孔边距尺寸
- 圆锥测头

FEATURES

- For measuring hole Center-to-Center and Edge-to-Center distances
- Conical measuring poles

货号 Code NO.	测量范围 Measuring Range mm	精度 Accuracy mm	a mm	b mm	c mm	d mm	e mm
119-201	上爪:10-150 下爪:5-150	±0.05	60	50	50	16	∅10
119-202	上爪:10-200 下爪:5-200	±0.07	60	50	50	16	∅10
119-203	上爪:10-300 下爪:5-300	±0.09	60	50	50	16	∅10