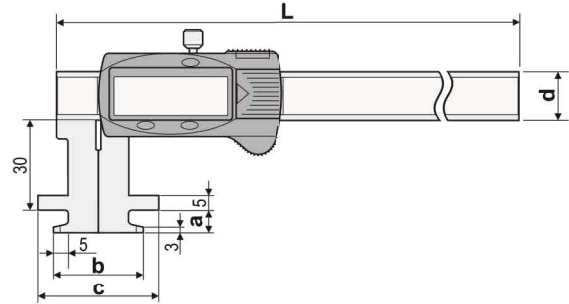
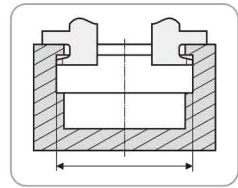


动定爪带定位面扁头内沟槽数显卡尺

Digital Caliper with Flat Measuring Points and Locating Blocks for Inside Grooves



分辨率:0.01mm
Resolution:0.01mm



主要特点:

- 动/定爪带定位面，方便快速测量内沟槽尺寸
- 任意位置清零，便于相对测量与绝对测量转换
- 任意位置公制与英制转换

FEATURES

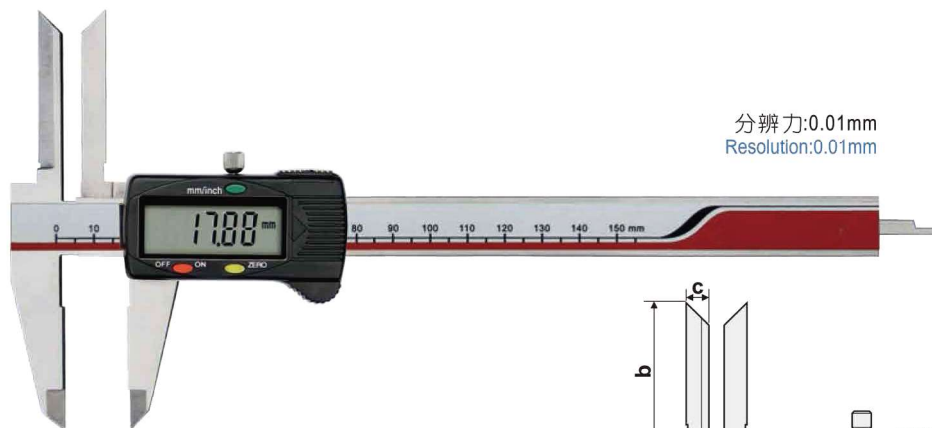
- Jaws with locating blocks, easy for fast inside groove measurements
- Zero-setting at any position, convenient for relative and absolute measure conversion
- Mm/inch conversion at any position

货号 Code NO.	测量范围 Measuring Range mm	精度 Accuracy mm	L mm	a mm	b mm	c mm	d mm
115-101B	0-150	± 0.04	250	7.5	30	40	16
115-101B-1	0-150	± 0.04	250	7	30	40	16
115-101B-2	0-150	± 0.04	250	10.6	30	40	16
115-101B-3	0-150	± 0.04	250	7.5	20	35	16
115-101B-4	0-150	± 0.04	250	7.5	20	40	16
115-101B-5	0-150	± 0.04	250	7.5	30	35	16

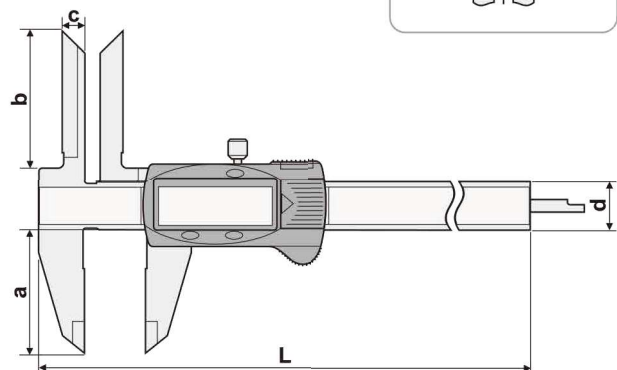
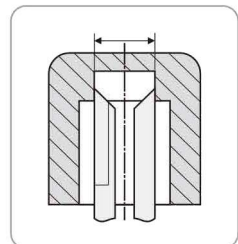
F

上长爪内径数显卡尺

Digital Caliper with Long Knife-edged Upper Jaws



分辨率:0.01mm
Resolution:0.01mm



主要特点:

- 加长的上内测量爪，方便测量较深孔的内径
- 任意位置清零，便于相对测量与绝对测量转换
- 任意位置公制与英制转换

FEATURES

- Long upper jaws easy for ID measurements in the depth bore
- Zero-setting at any position, convenient for relative and absolute measure conversion
- Mm/inch conversion at any position

货号 Code NO.	测量范围 Measuring Range mm	精度 Accuracy mm	L mm	a mm	b mm	c mm	d mm
113-111	0-150	± 0.04	236	40	45	7.5	16
113-112	0-200	± 0.04	286	50	50	7.5	16
113-113	0-300	± 0.05	400	60	45	7.5	17