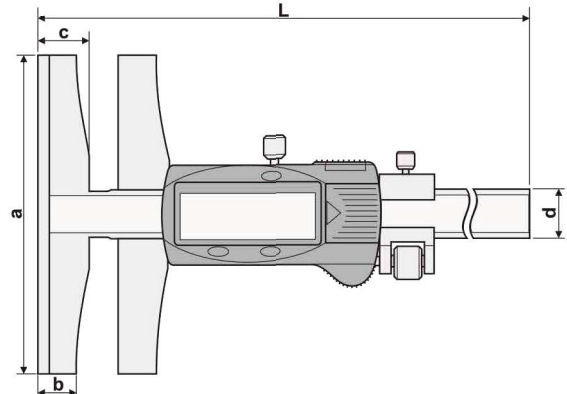
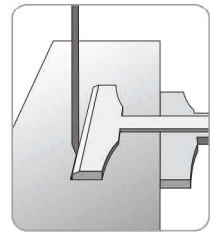


T 型划线数显卡尺

T Type Digital Scribing Caliper



分辨率:0.01mm
Resolution:0.01mm



主要特点:

- 便于工件上划线
- 具有数值保持功能

FEATURES

- Easy for scribing
- Can hold the measurements

货号 Code NO.	测量范围 Measuring Range mm	精度 Accuracy mm	L mm	a mm	b mm	c mm	d mm
121-501	0-150	± 0.07	275	100	10	15	17
121-502	0-200	± 0.07	325	100	10	15	17
121-504	0-300	± 0.08	430	100	10	15	17

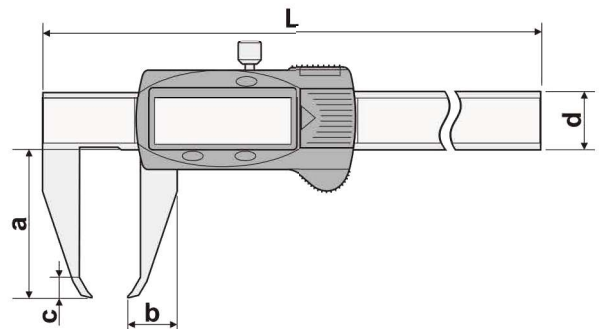
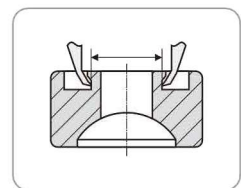
F

特殊外沟槽数显卡尺

Digital Caliper for Special Outside Grooves



分辨率:0.01mm
Resolution:0.01mm



主要特点:

- 专用于测量其它尺子不便测量的沟槽尺寸
- 任意位置清零, 便于相对测量与绝对测量转换
- 任意位置公制与英制转换

FEATURES

- Used for special outside groove measurements
- Zero-setting at any position, convenient for relative and absolute measure conversion
- Mm/inch conversion at any position

货号 Code NO.	测量范围 Measuring Range mm	精度 Accuracy mm	L mm	a mm	b mm	c mm	d mm
114-330	0-100	± 0.03	200	40	13.2	5.4	16