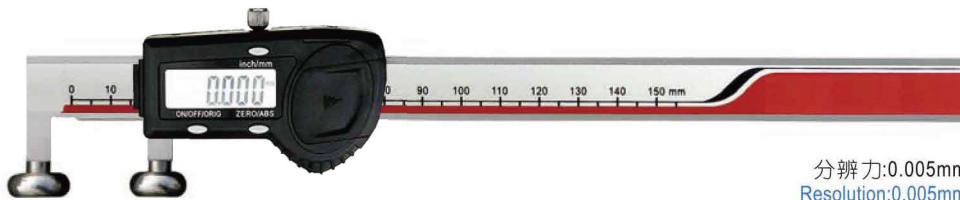
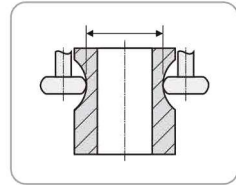


高精度内外沟槽数显卡尺

Digital Caliper with High Precision Readout for Inside and Outside Grooves



分辨率:0.005mm
Resolution:0.005mm

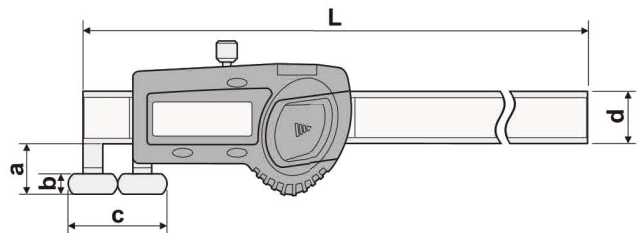


主要特点:

- 精密鼓形测头，专用于测量截面为半圆形的内/外沟槽尺寸(如滑轮槽)
- 显示更高准确度读数，分辨率：0.005mm
- 任意位置清零，便于相对测量与绝对测量转换
- 任意位置公制与英制转换

FEATURES

- Drum-shaped measuring faces used for measuring the arc-shaped outside and inside groove (such as pulley groove)
- High accuracy readout, 0.005mm resolution
- Zero-setting at any position, convenient for relative and absolute measure conversion
- Mm/inch conversion at any position



货号 Code NO.	测量范围 Measuring Range mm	精度 Accuracy mm	L mm	a mm	b mm	c mm	d mm
115-188	ID:20-100 OD:0-120	± 0.04	210	15	6	20	16
115-188-1	ID:30-100 OD:0-120	± 0.04	220	15	6	30	16

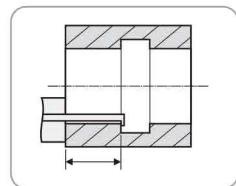
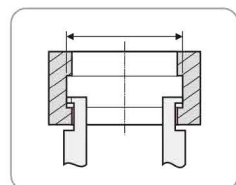
F

上长爪内沟槽数显卡尺 (测深杆带钩)

Standard Lower Jaws Digital Caliper with Special Upper Jaws (Hook Type Depth Bar)



分辨率:0.01mm
Resolution:0.01mm

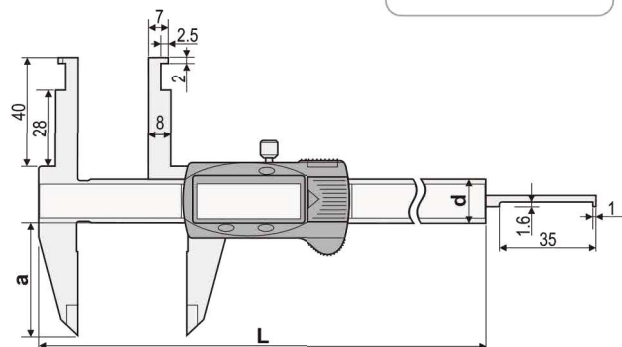


主要特点:

- 加长的上内沟测量爪，便于测量深孔中的内沟槽尺寸
- 带沟测深杆，用于测量深孔中沟槽位置尺寸
- 任意位置清零，便于相对测量与绝对测量转换
- 任意位置公制与英制转换

FEATURES

- Long upper jaws used for inside groove measurements
- With a single hook depth bar, convenient for the groove measurements in a deep bore
- Zero-setting at any position, convenient for relative and absolute measure conversion
- Mm/inch conversion at any position



货号 Code NO.	测量范围 Measuring Range mm	精度 Accuracy mm	L mm	a mm	d mm
113-201	上爪:7-150 下爪:0-150	± 0.03	236	40	16