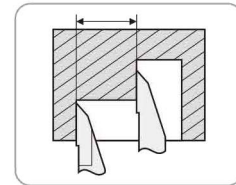
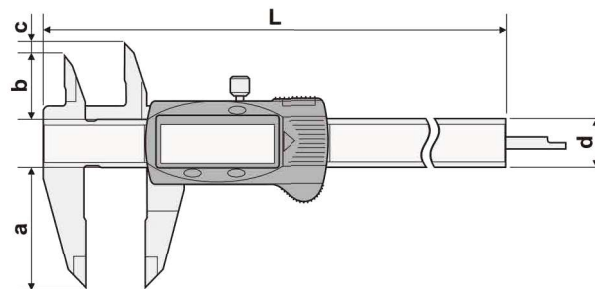


上同向爪数显卡尺

Digital Caliper with Upper Jaws in One Direction



分辨力:0.01mm
Resolution:0.01mm



主要特点:

- 可用于测量同一平面上同向距离尺寸
- 任意位置清零，便于相对测量与绝对测量转换
- 任意位置公制与英制转换

FEATURES

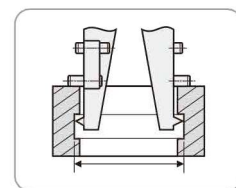
- Used for measuring the distance of surface in the same direction
- Zero-setting at any position, convenient for relative and absolute measure conversion
- Mm/inch conversion at any position

货号 Code NO.	测量范围 Measuring Range mm	精度 Accuracy mm	L mm	a mm	b mm	c mm	d mm
112-211	0-150	± 0.03	236	40	21	0	16
112-211-1	0-150	± 0.03	236	40	21	5	16
112-212	0-200	± 0.03	286	50	24	0	16
112-212-1	0-200	± 0.03	286	50	24	8	16
112-213	0-300	± 0.04	400	60	26	0	16
112-213-1	0-300	± 0.04	400	60	26	10	16

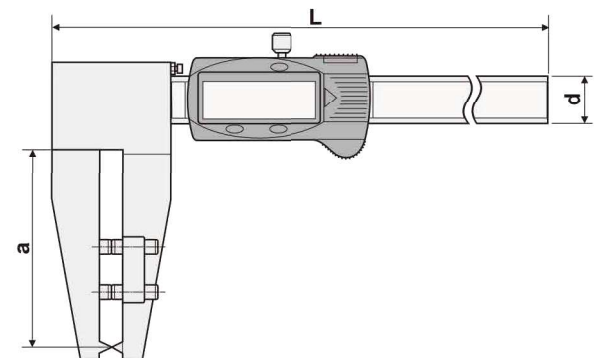


闸圈数显卡尺

Digital Brake Drum Caliper



分辨力:0.01mm
Resolution:0.01mm



主要特点:

- 可用于汽车刹车毂磨损尺寸检测，使用方便
- 任意位置清零，便于相对测量与绝对测量转换
- 任意位置公制与英制转换

FEATURES

- Used for measuring the wear of brake drum of cars
- Zero-setting at any position, convenient for relative and absolute measure conversion
- Mm/inch conversion at any position

货号 Code NO.	测量范围 Measuring Range mm	精度 Accuracy mm	L mm	a mm	d mm
113-163	0-300	± 0.05	445	85	20
113-164	0-425	± 0.07	570	110	20
113-165	0-500	± 0.07	710	115	24