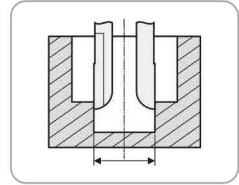


长爪内径数显卡尺

Digital Caliper with Long Internal Measuring Jaws



分辨率:0.01mm
Resolution:0.01mm



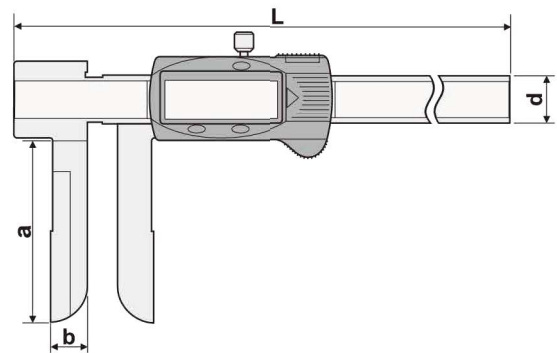
主要特点:

- 加长爪形能重叠, 可伸入较深的孔中测量阶梯孔孔径
- 任意位置清零, 便于相对测量与绝对测量转换
- 任意位置公制与英制转换

FEATURES

- Overlapping long jaws used for narrow inside diameter measurement in deep bores
- Zero-setting at any position, convenient for relative and absolute measure conversion
- Mm/inch conversion at any position

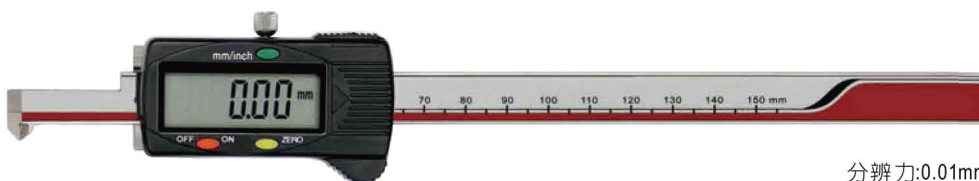
货号 Code NO.	测量范围 Measuring Range mm	精度 Accuracy mm	L mm	a mm	b mm	d mm
113-101	15-150	± 0.06	250	60	12	16
113-101-1	17-150	± 0.06	250	90	14	16
113-101-2	24-150	± 0.06	350	150	22	24
113-102	17-200	± 0.06	305	75	14	16
113-102-1	20-200	± 0.06	305	100	17	16
113-102-2	24-200	± 0.06	400	150	22	24
113-103	18-300	± 0.06	410	90	15	16
113-103-1	22-300	± 0.06	500	120	20	24
113-103-2	24-300	± 0.06	500	150	22	24
113-105	22-500	± 0.08	700	100	20	24
113-105-1	24-500	± 0.08	700	150	22	24
113-105-2	32-500	± 0.08	700	200	30	24



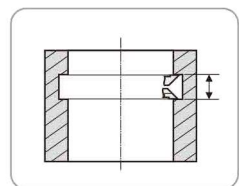
F

内槽宽数显卡尺

Hook Type Digital Caliper for Inner Grooves



分辨率:0.01mm
Resolution:0.01mm

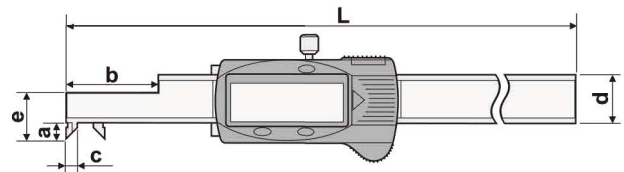


主要特点:

- 可用于测量孔中沟槽宽和沟槽位置尺寸
- 任意位置清零, 便于相对测量与绝对测量转换
- 任意位置公制与英制转换

FEATURES

- Used for inside grooves' width measurements in deep bores
- Zero-setting at any position, convenient for relative and absolute measure conversion
- Mm/inch conversion at any position



货号 Code NO.	测量范围 Measuring Range mm	精度 Accuracy mm	L mm	a mm	b mm	c mm	d mm	e mm
115-151	3-125	± 0.03	236	4	24	3	12.5	12
115-151-1	3-150	± 0.03	260	4	24	3	12.5	12
115-152	3-200	± 0.04	310	4	24	3	12.5	12
115-153	4-300	± 0.04	466	5	86	4	15	14