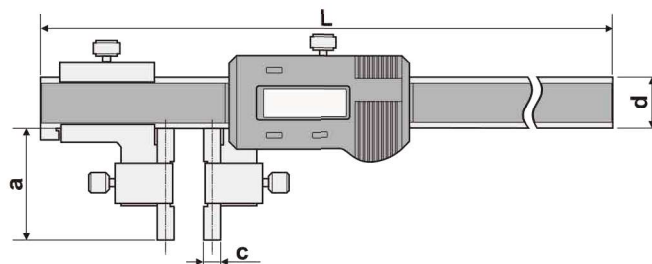


柱测头中心距数显卡尺

Center Distance Digital Caliper with Pillar Heads



分辨率:0.01mm
Resolution:0.01mm



主要特点:

- 当被测孔直径大于测头直径时, 可通过一定的操作步骤直接读出被测孔之间的中心距离

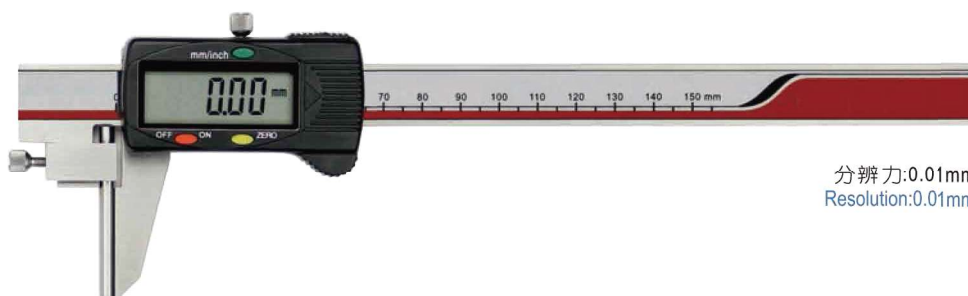
FEATURES

- Direct reading for center distance measurement between holes

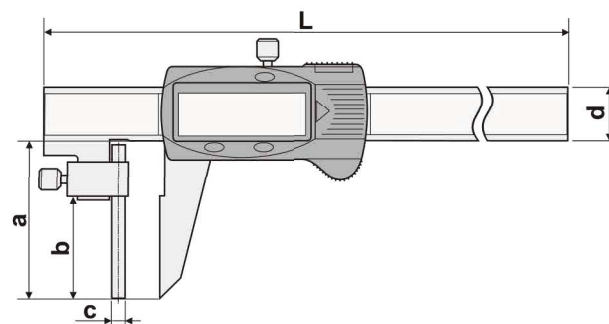
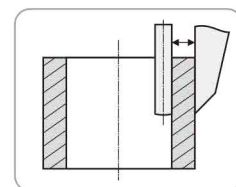
货号 Code NO.	测量范围 Measuring Range mm	精度 Accuracy mm	L mm	a mm	c mm	d mm
119-101	5-150	± 0.05	426	35	Ø5	16
119-102	5-200	± 0.05	526	35	Ø5	16
119-103	5-300	± 0.07	726	35	Ø5	16

管壁厚数显卡尺

Tube Thickness Digital Caliper



分辨率:0.01mm
Resolution:0.01mm



主要特点:

- 专用于测量圆管的壁厚
- 任意位置清零, 便于相对测量与绝对测量转换
- 任意位置公制与英制转换

FEATURES

- Used for tube wall thickness measurements
- Zero-setting at any position, convenient for relative and absolute measure conversion
- Mm/inch conversion at any position

货号 Code NO.	测量范围 Measuring Range mm	精度 Accuracy mm	L mm	a mm	b mm	c mm	d mm
116-101	0-150	± 0.04	250	46	30	Ø4	16
116-102	0-200	± 0.04	300	56	40	Ø4	16
116-103	0-300	± 0.05	400	66	50	Ø4	16