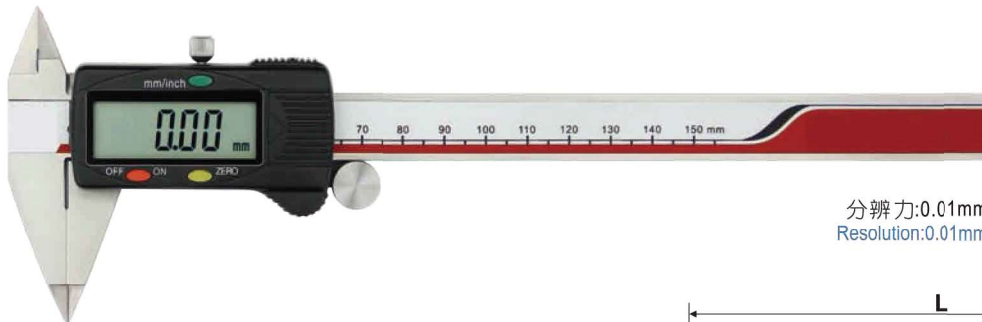
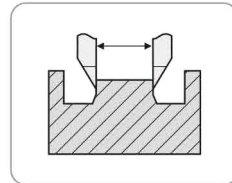


细尖爪数显卡尺

Digital Caliper with Pointed Jaws



分辨力:0.01mm
Resolution:0.01mm

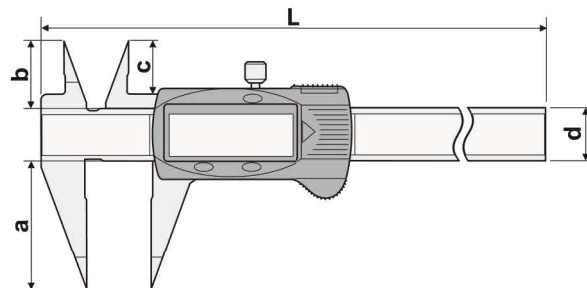


主要特点:

- 爪形细小, 用于测量窄小空间的局部尺寸
- 任意位置清零, 便于相对测量与绝对测量转换
- 任意位置公制与英制转换

FEATURES

- The narrow pointed jaws used for small grooves measurements
- Zero-setting at any position, convenient for relative and absolute measure conversion
- Mm/inch conversion at any position



货号 Code NO.	测量范围 Measuring Range mm	精度 Accuracy mm	L mm	a mm	b mm	c mm	d mm
111-200	0-100	± 0.04	170	30	17	12.5	13
111-201	0-150	± 0.04	236	40	21	16.5	16
111-202	0-200	± 0.04	286	50	24	19.5	16
111-203	0-300	± 0.05	400	60	25	21.5	16

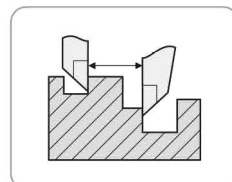
F

伸缩爪数显卡尺

Digital Caliper with Exchangeable Measuring Jaws



分辨力:0.01mm
Resolution:0.01mm

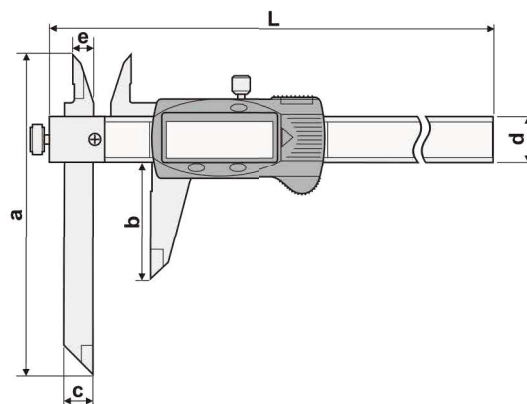


主要特点:

- 爪可伸缩, 便于测量不等高平面尺寸
- 任意位置清零, 便于相对测量与绝对测量转换
- 任意位置公制与英制转换

FEATURES

- Main scale jaw can be slid up and down for facilitate measurement of stepped sections
- Zero-setting at any position, convenient for relative and absolute measure conversion
- Mm/inch conversion at any position



货号 Code NO.	测量范围 Measuring Range mm	精度 Accuracy mm	L mm	a mm	b mm	c mm	d mm	e mm
117-101	0-150	± 0.04	249	110	40	10	17	7
117-102	0-200	± 0.04	299	120	50	10	17	7
117-103	0-300	± 0.05	399	130	60	10	17	7
117-105	0-500	± 0.06	685	210	100	22	24	11