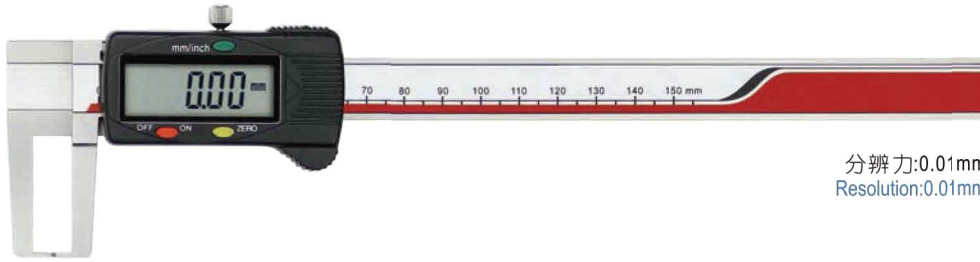
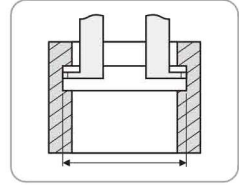


刀头内沟槽数显卡尺

Digital Caliper with Knife-edged Measuring Points for Inside Grooves



分辨率:0.01mm
Resolution:0.01mm



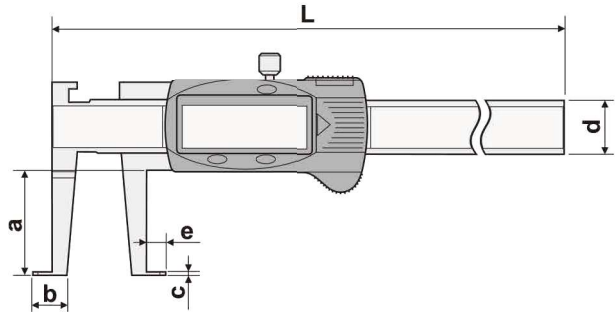
主要特点:

- 爪形能重叠,可伸入较小的孔中测量内沟槽尺寸
- 任意位置清零,便于相对测量与绝对测量转换
- 任意位置公制与英制转换

FEATURES

- Overlapping jaws used for narrow inside groove measurements
- Zero-setting at any position, convenient for relative and absolute measure conversion
- Mm/inch conversion at any position

货号 Code NO.	测量范围 Measuring Range mm	精度 Accuracy mm	L mm	a mm	b mm	c mm	d mm	e mm
115-111	14-150	± 0.05	240	30	12	1	16	5
115-111-1	19-150	± 0.06	240	60	17	1.5	16	6
115-111-2	25-150	± 0.06	291	90	23	3	20	8
115-111-3	8-150	± 0.06	240	40	6	1	16	2
115-111*40*3	10-150	± 0.06	240	40	8	1	16	3
115-112	15-200	± 0.05	290	40	13	1	16	5
115-112-1	22-200	± 0.06	290	70	20	1.5	16	7
115-112-2	29-200	± 0.06	347	100	27	3	20	10
115-113	17-300	± 0.06	400	50	15	1.5	16	5
115-113-1	26-300	± 0.07	400	80	24	1.5	16	8
115-113-2	33-300	± 0.07	453	110	31	3.5	20	12
115-115	25-500	± 0.07	670	90	23	1.5	24	6
115-115-1	35-500	± 0.08	670	120	33	1.5	24	8
115-115-2	47-500	± 0.08	670	150	45	2	24	20



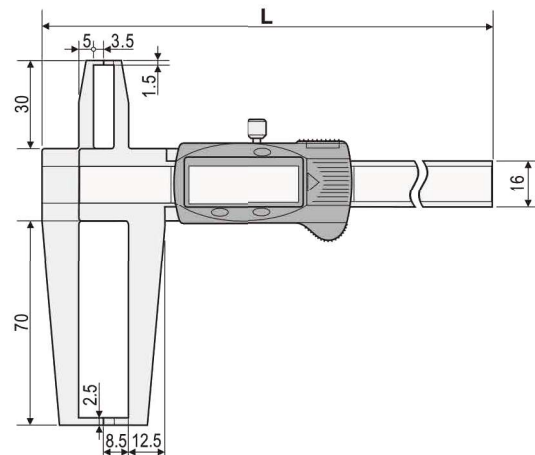
F

刀头双内沟数显卡尺

Double Inside Groove Digital Caliper with Knife-edged Measuring faces



分辨率:0.01mm
Resolution:0.01mm



主要特点:

- 便于测量小孔内的内沟槽尺寸
- 任意位置清零,便于相对测量与绝对测量转换
- 任意位置公制与英制转换

FEATURES

- Used for measuring the inside groove in small hole
- Zero-setting at any position, convenient for relative and absolute measure conversion
- Mm/inch conversion at any position

货号 Code NO.	测量范围 Measuring Range mm	精度 Accuracy mm	L mm
115-231	上爪:13-150 下爪:24-150	± 0.05	270
115-232	上爪:13-200 下爪:24-200	± 0.06	320
115-233	上爪:13-300 下爪:24-300	± 0.06	425