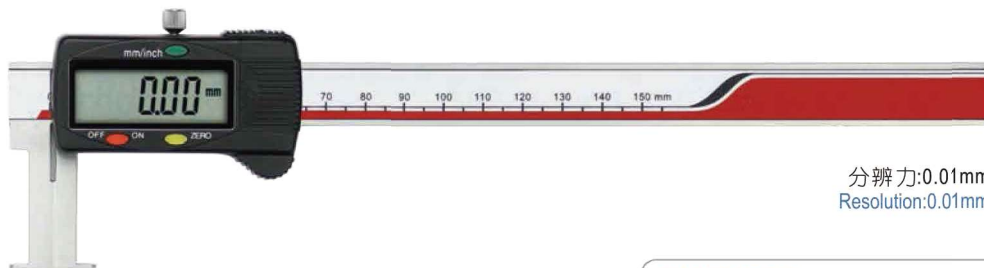
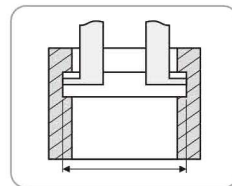


扁头内沟槽数显卡尺

Digital Caliper with Flat Measuring Points for Inside Grooves



分辨率:0.01mm
Resolution:0.01mm



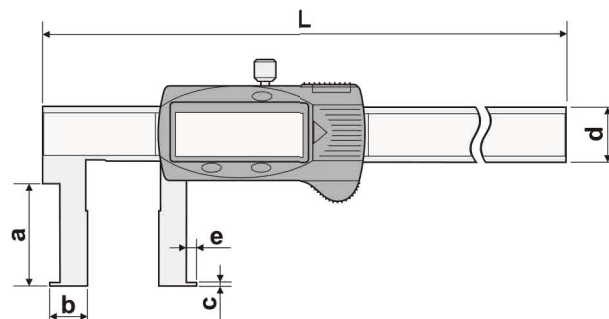
主要特点:

- 方便精确测量内沟槽尺寸
- 带预置功能
- 任意位置清零, 便于相对测量与绝对测量转换
- 任意位置公制与英制转换

FEATURES

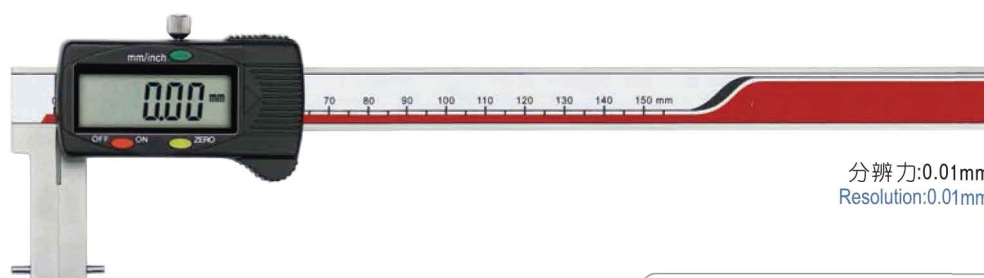
- Used for inside groove measurements
- With preset function
- Zero-setting at any position, convenient for relative and absolute measure conversion
- Mm/inch conversion at any position

货号 Code NO.	测量范围 Measuring Range mm	精度 Accuracy mm	L mm	a mm	b mm	c mm	d mm	e mm
115-101	22-150	±0.05	250	30	11	1	16	5
115-101-1	35-150	±0.06	250	60	17.5	1.5	16	6
115-101-2	50-150	±0.06	270	90	25	2	20	8
115-102	25-200	±0.05	310	40	12.5	1	16	5
115-102-1	40-200	±0.06	310	70	20	1.5	16	7
115-102-2	60-200	±0.06	320	100	30	2	20	10
115-103	30-300	±0.06	410	50	15	1.5	16	5
115-103-1	50-300	±0.07	410	80	25	1.5	16	8
115-103-2	60-300	±0.07	420	110	30	2	20	10
115-105	40-500	±0.07	680	90	20	1.5	24	5
115-105-1	60-500	±0.08	680	120	30	2	24	10
115-105-2	80-500	±0.08	680	150	40	3	24	16

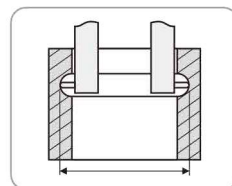


圆柱头内沟槽数显卡尺

Digital Caliper with Round Measuring Points for Inside Grooves



分辨率:0.01mm
Resolution:0.01mm



主要特点:

- 方便精确测量圆弧形内沟槽尺寸
- 带预置功能
- 任意位置清零, 便于相对测量与绝对测量转换
- 任意位置公制与英制转换

FEATURES

- Used for arc-shaped inside groove measurements
- With preset function
- Zero-setting at any position, convenient for relative and absolute measure conversion
- Mm/inch conversion at any position

货号 Code NO.	测量范围 Measuring Range mm	精度 Accuracy mm	L mm	a mm	b mm	c mm	d mm	e mm	f mm
115-121	24-150	±0.05	250	30	3	7	16	5	∅2
115-121-1	35-150	±0.05	250	60	3	11.5	16	6	∅2
115-121-2	50-150	±0.06	270	90	4	17	20	8	∅3
115-122	25-200	±0.05	310	40	3	7.5	16	5	∅2
115-122-1	40-200	±0.05	310	70	3	13	16	7	∅3
115-122-2	60-200	±0.05	320	100	3	20	20	10	∅3
115-123	30-300	±0.07	410	50	3	10	16	5	∅2
115-123-1	50-300	±0.07	410	80	3	15	16	10	∅3
115-123-2	60-300	±0.07	420	110	3	20	20	10	∅3
115-125	40-500	±0.07	680	90	3	15	24	5	∅3
115-125-1	60-500	±0.08	680	120	3	20	24	10	∅3
115-125-2	80-500	±0.08	680	150	3	24	24	16	∅3

