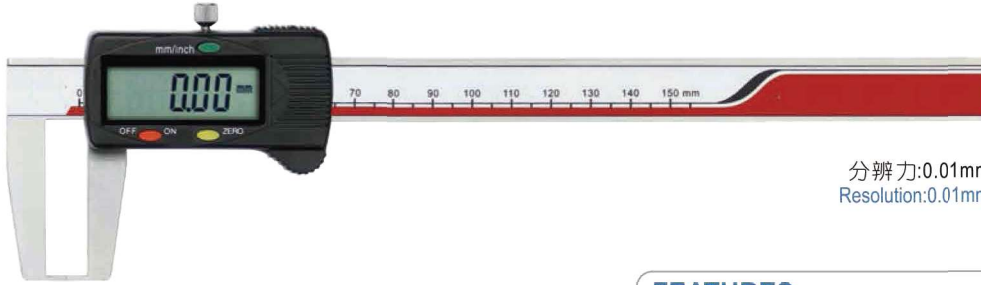
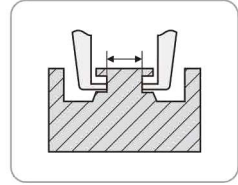


**扁头外沟槽数显卡尺**

Digital Caliper with Flat Measuring Points for Outside Grooves



分辨率:0.01mm  
Resolution:0.01mm



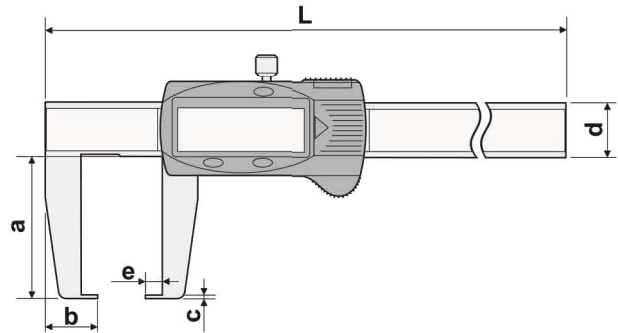
**主要特点:**

- 方便精确测量外沟槽尺寸
- 任意位置清零，便于相对测量与绝对测量转换
- 任意位置公制与英制转换

**FEATURES**

- Used for outside groove measurements
- Zero-setting at any position, convenient for relative and absolute measure conversion
- Mm/inch conversion at any position

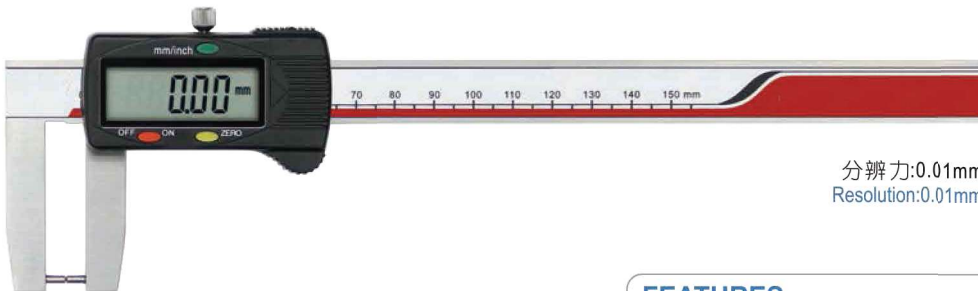
货号 Code NO.	测量范围 Measuring Range mm	精度 Accuracy mm	L mm	a mm	b mm	c mm	d mm	e mm
114-101	0-150	±0.04	250	40	15	1	16	5
114-101-1	0-150	±0.05	250	70	20	2	16	7
114-101-2	0-150	±0.05	290	100	30	2	20	10
114-102	0-200	±0.04	310	50	19	1	16	7
114-102-1	0-200	±0.05	310	80	23	1.5	16	9
114-102-2	0-200	±0.05	340	110	34	2	20	12
114-103	0-300	±0.05	410	60	21	1.5	16	8
114-103-1	0-300	±0.06	440	100	30	2	20	10
114-103-2	0-300	±0.06	490	150	36	2	24	12
114-105	0-500	±0.06	690	100	34	2	24	12
114-105-1	0-500	±0.07	690	150	36	2	24	12
114-105-2	0-500	±0.07	690	200	36	2	24	12



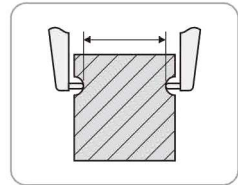
F

**圆柱头外沟槽数显卡尺**

Digital Caliper with Round Measuring Points for Outside Grooves



分辨率:0.01mm  
Resolution:0.01mm



**主要特点:**

- 方便精确测量圆弧形外沟槽尺寸
- 任意位置清零，便于相对测量与绝对测量转换
- 任意位置公制与英制转换

**FEATURES**

- Used for arc-shaped outside groove measurements
- Zero-setting at any position, convenient for relative and absolute measure conversion
- Mm/inch conversion at any position

货号 Code NO.	测量范围 Measuring Range mm	精度 Accuracy mm	L mm	a mm	b mm	c mm	d mm	e mm	f mm
114-111	0-150	±0.04	250	40	3	10	16	5	∅2
114-111-1	0-150	±0.05	250	70	3	13	16	7	∅3
114-111-2	0-150	±0.05	290	100	3	20	20	10	∅3
114-112	0-200	±0.04	310	50	3	12	16	7	∅2
114-112-1	0-200	±0.05	310	80	3	14	16	9	∅3
114-112-2	0-200	±0.05	340	110	3	22	20	12	∅3
114-113	0-300	±0.05	410	60	3	13	16	8	∅3
114-113-1	0-300	±0.06	440	100	3	20	20	10	∅3
114-113-2	0-300	±0.06	490	150	3	20	24	12	∅3
114-115	0-500	±0.06	690	100	3	20	24	12	∅3
114-115-1	0-500	±0.07	690	150	3	20	24	12	∅3
114-115-2	0-500	±0.07	690	200	3	20	24	12	∅3

