

木工用数显高度尺

Woodworking Digital Height Gauge



主要特点:

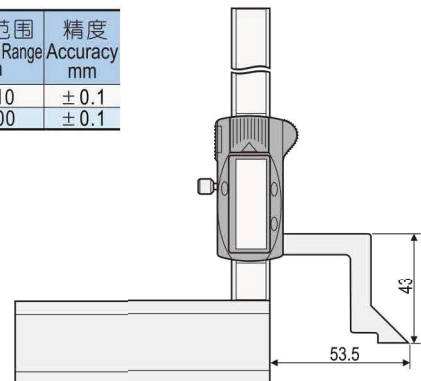
- 专用于木工划线，高度测量，使用方便
- 轻巧铝质底座，铝座底部镶磁铁可吸附在铁板上
- 任意位置清零，便于相对测量与绝对测量转换
- 任意位置公制与英制转换

FEATURES

- Designed for woodworker's workshop, used to adjust saw blade, scribing and height measurements
- With a light aluminum base, magnet inlaid
- Zero-setting at any position, convenient for relative and absolute measure conversion
- Mm/inch conversion at any position

货号 Code NO.	测量范围 Measuring Range mm	精度 Accuracy mm
131-130	0-110	± 0.1
131-131	0-200	± 0.1

分辨力:0.01mm
Resolution:0.01mm



E

带表高度尺

Dial Height Gauge



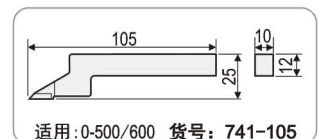
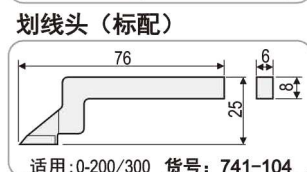
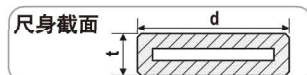
主要特点:

- 读数清晰、直观、精确
- 划线爪镶硬质合金
- 微调架使移动能实现微进给

FEATURES

- Clear, direct and accurate reading
- With carbide-tipped scriber
- Fine-adjustment carriage to feed the slider finely

货号 Code NO.	测量范围 Measuring Range mm	分度值 Graduation mm/inch	精度 Accuracy mm	示值/周 Range/rev.	重量 Weight kg	d mm	t mm
191-146	0-300	0.02	± 0.04	2	2.4	21	6
191-148	0-500	0.02	± 0.05	2	5.2	31	10.5
191-150	0-600	0.02	± 0.05	2	5.3	31	10.5



划线头 (标配)

适用:0-200/300 货号: 741-104

杠杆表支架 (选配)

适用:0-300及以下 货号:131-103-700

适用:0-500/600 货号: 741-105

适用:0-500/600 货号:131-105-700