

双外爪数显卡尺

Digital Caliper With Basic and Outside Measuring Jaws



A



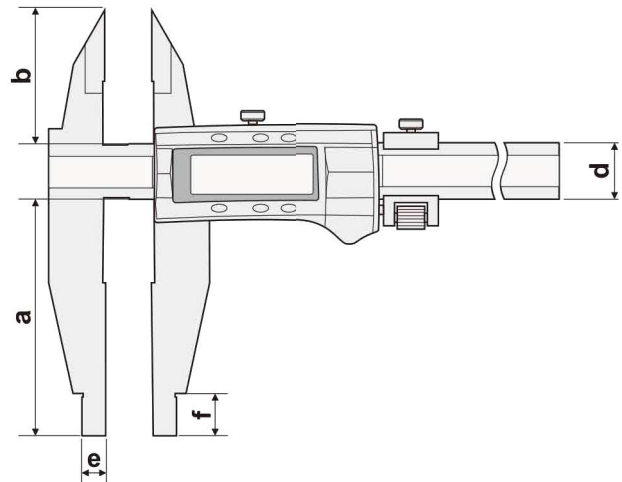
低电压报警 分辨率:0.01mm
Low voltage alarm Resolution:0.01mm

主要特点:

- 下爪为圆弧形内测量面更适于测量精密内孔或槽的尺寸，带有外测上爪
- 任意位置清零，便于相对测量与绝对测量转换
- 带预置数功能
- 任意位置公制与英制转换
- 带有微调装置
- 带数据保持功能

FEATURES

- Nib shaped jaws for ID and OD measurement, carrying upper jaws for OD measurements
- Zero-setting at any position, convenient for relative and absolute measure conversion
- Preset any reading at any position
- Mm/inch conversion at any position
- With fine-adjustment carriage
- Data hold



货号 Code NO.	测量范围 Measuring Range mm	精度 Accuracy mm	重量 Weight kg	a mm	b mm	d mm	e mm	f mm
111-300	0-200	±0.03	—	60	38	17	5	12
111-300-1	0-200	±0.03	—	75	38	17	5	12
111-300GS-1J	0-200	±0.03	—	90	45	20	5	12
111-301	0-250	±0.03	—	60	38	17	5	12
111-301-1	0-250	±0.03	—	75	38	17	5	12
111-301GS-1J	0-250	±0.03	—	90	45	20	5	12
111-301GS-2	0-250	±0.03	—	100	56	24	10	18
111-301GS-3	0-250	±0.03	—	125	56	24	10	18
111-302	0-300	±0.04	—	60	38	17	5	12
111-302-1	0-300	±0.04	—	75	38	17	5	12
111-302GS-2J	0-300	±0.04	—	90	45	20	5	12
111-302GS-3	0-300	±0.04	—	100	56	24	10	18
111-302GS-4	0-300	±0.05	—	125	56	24	10	18
111-302GS-5	0-300	±0.05	—	150	56	24	10	18
111-303GS	0-400	±0.04	—	100	56	24	10	18
111-303GS-1	0-400	±0.05	—	125	56	24	10	18
111-303GS-2	0-400	±0.06	—	150	56	24	10	18
111-303GS-3	0-400	±0.06	—	200	67	31	10	24
111-304GS	0-500	±0.05	1.2	100	56	24	10	18
111-304GS-1	0-500	±0.05	1.3	150	56	24	10	18
111-304GS-2	0-500	±0.07	2.2	200	67	31	10	24

货号 Code NO.	测量范围 Measuring Range mm	精度 Accuracy mm	重量 Weight kg	a mm	b mm	d mm	e mm	f mm
111-305GS	0-600	±0.05	1.3	100	80	24	10	18
111-305GS-1	0-600	±0.05	1.4	150	80	24	10	18
111-305GS-2	0-600	±0.07	2.3	200	67	31	10	24
111-306GS	0-800	±0.06	2.5	125	67	31	10	24
111-306GS-1	0-800	±0.06	2.5	150	67	31	10	24
111-306GS-2	0-800	±0.08	2.6	200	67	31	10	24
111-306GS-3	0-800	±0.09	4.7	250	80	42	10	24
111-307GS-0	0-1000	±0.07	2.7	125	67	31	10	24
111-307GS	0-1000	±0.07	2.7	150	67	31	10	24
111-307GS-1	0-1000	±0.09	2.8	200	67	31	10	24
111-307GS-2	0-1000	±0.10	5.2	250	80	42	10	24
111-307GS-5	0-1250	±0.08	3.1	150	67	31	10	24
111-307GS-6	0-1250	±0.11	3.2	200	67	31	10	24
111-308GS	0-1500	±0.11	6.2	150	80	42	10	24
111-308GS-1	0-1500	±0.11	6.5	200	80	42	10	24
111-308GS-2	0-1500	±0.14	7.1	250	80	42	10	24
111-308GS-3	0-1500	±0.15	7.5	300	80	42	10	24
111-309GS	0-2000	±0.14	6.6	150	80	42	10	24
111-309GS-1	0-2000	±0.14	7.2	200	80	42	10	24
111-309GS-2	0-2000	±0.18	7.6	250	80	42	10	24
111-309GS-3	0-2000	±0.20	8.0	300	80	42	10	24
111-311GS	0-3000	±0.26	9.5	150	80	42	10	24
111-311GS-1	0-3000	±0.26	9.9	200	80	42	10	24
111-311GS-2	0-3000	±0.26	10.3	250	80	42	10	24
111-311GS-3	0-3000	±0.27	10.7	300	80	42	10	24