

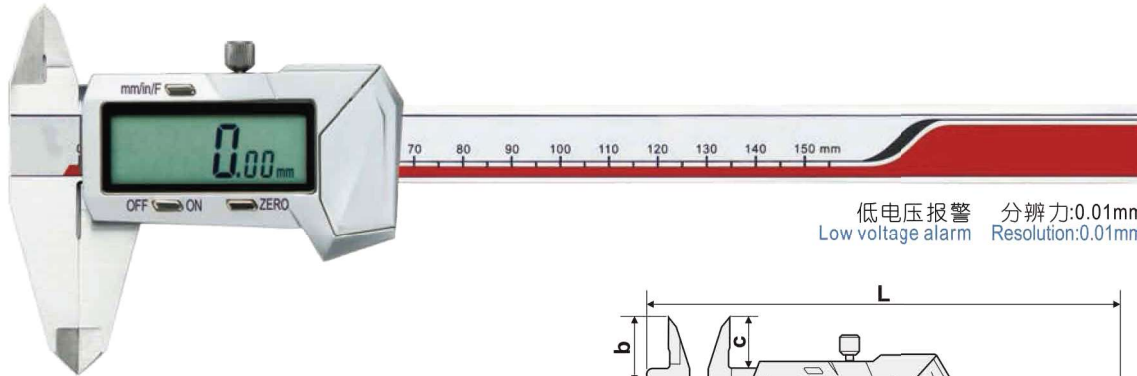
英制分数数显卡尺

Fractional Digital Caliper

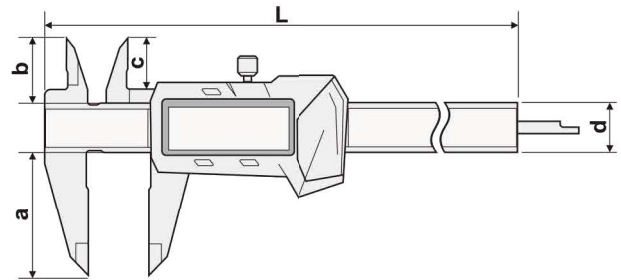


A

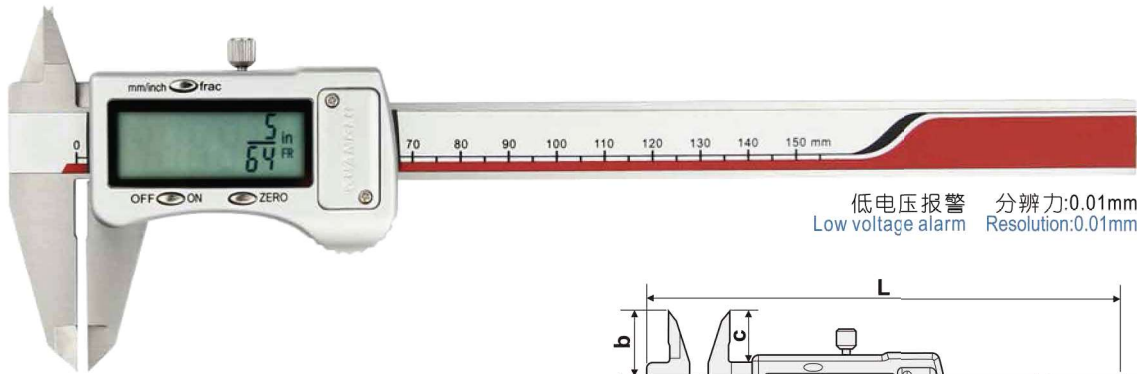
NEW



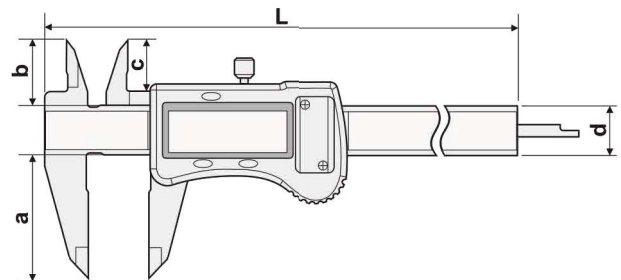
低电压报警 分辨率:0.01mm
Low voltage alarm Resolution:0.01mm



货号 Code NO.	测量范围 Measuring Range mm	精度 Accuracy mm	L mm	a mm	b mm	c mm	d mm
111-131GD	0-150	± 0.03	236	40	21	16.5	16
111-132GD	0-200	± 0.03	286	50	24	19.5	16
111-133GD	0-300	± 0.04	400	60	26	21.5	16



低电压报警 分辨率:0.01mm
Low voltage alarm Resolution:0.01mm



货号 Code NO.	测量范围 Measuring Range mm	精度 Accuracy mm	L mm	a mm	b mm	c mm	d mm
111-131G	0-150	± 0.03	236	40	21	16.5	16
111-132G	0-200	± 0.03	286	50	24	19.5	16
111-133G	0-300	± 0.04	400	60	26	21.5	16

主要特点:

- 显示屏可显示为英制分数，分辨力为1/128"或1/64"
- 任意位置清零，便于相对测量与绝对测量转换
- 任意位置公制与英制转换

FEATURES

- With metric, imperial and fractional conversion, fractional resolution optional for 1/128" and 1/64"
- Zero-setting at any position, convenient for relative and absolute measure conversion
- Mm/inch conversion at any position