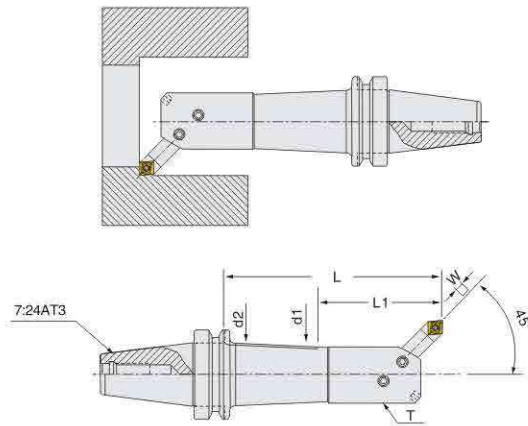


## BSA45° 粗鏜孔刀柄

BSA 45° Roughing Boring Bar



型號 Model	尺寸 Size(mm)				鏜孔範圍 Boring Range	W	螺絲 Screw T	重量 Weight	
	d1	d2	L1	L					
BT40	BSA25-120	20	22	35	90	25-38	8	Sm6	1.3
	BSA30-150	24	26	40	120	30-42	8	SM6	1.5
	BSA38-165	30	33	50	135	38-52	10	SM8	1.8
	BSA42-165	34	37	50	135	42-56	10	SM8	2.1
	BSA50-165	40	44	65	135	25-38	13	SM8	2.4
	BSA50-220	40	44	65	220	50-65	13	SM8	4.0
	BSA62-180	50	56	80	150	62-90	16	SM10	2.5
	BSA62-220	50	56	80	220	62-90	16	SM10	4.2
	<i>New!</i> BSA62-240	50	56	95	240	62-90	19	Sm10	4.0
	<i>New!</i> BSA62-320	50	56	95	320	62-90	19	Sm10	9.0
	BSA72-180	60	-	95	150	72-110	19	SM10	4.4
	BT50	BSA90-180	75	-	-	150	90-125	19	SM10
BSA25-135		20	22	35	135	25-38	8	SM6	4.3
BSA30-165		24	26	40	165	30-42	8	SM6	4.5
BSA38-180		30	33	50	180	38-52	10	SM8	4.9
BSA42-180		34	37	60	180	42-56	10	SM8	5.5
BSA42-210		34	37	60	210	42-56	10	SM8	5.1
BSA50-180		40	44	65	180	50-65	13	SM10	5.5
BSA50-240		40	44	65	240	50-65	13	SM10	5.8
BSA50-300		40	44	65	300	50-65	13	SM10	6.3
BSA62-195		50	56	80	195	62-90	16	SM10	6.3
BSA62-285		50	56	80	285	62-90	16	SM10	7.7
BSA62-300		50	56	80	300	62-90	16	SM10	9.5
BSA62-350		50	56	80	350	62-90	16	SM10	11.5
<i>New!</i> BSA62-400		50	56	80	400	62-90	16	SM10	7.1
BSA72-195		60	66	95	195	72-110	19	SM10	12.0
BSA72-285		60	66	95	285	72-110	19	SM10	9.4
BSA72-300		60	66	95	300	72-110	19	SM10	10.0
BSA72-350		60	66	95	350	72-110	19	SM10	12.0
<i>New!</i> BSA72-400		60	66	95	400	72-110	19	SM10	13.0
BSA90-210		75	80	110	210	90-125	19	SM12	9.5
BSA90-300		75	80	110	300	90-125	19	SM12	12.6
BSA90-350		75	80	110	350	90-125	19	SM12	14.0
BSA105-195		90	94	130	195	105-160	25	SM12	11.0
BSA105-285		90	94	130	285	105-160	25	SM12	15.3
BSA105-300		90	94	130	300	105-160	25	SM12	19.0
BSA105-350		90	94	130	350	105-160	25	SM12	26.0

此刀柄有BT、NT、SK、BBT、CAT、MTA、HSK50A、63A 100A各種型號可選，深度可以自由搭配。

### 特點/Feature

- 可選用四角形熔焊刀具或捨棄式刀具。
- 鏜盲孔專用。
- We can also choose 4 corner joining cutter or throw-away cutting tools.
- Specially for blind hole.