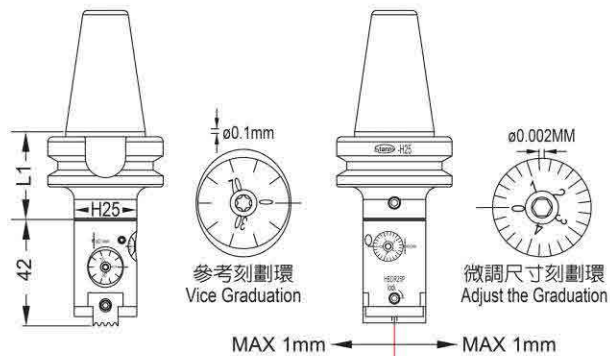


H · BOR 極細微調精搪孔系統
H · BOR Very fine fine boring system
整組SET G2.5 12000rpm

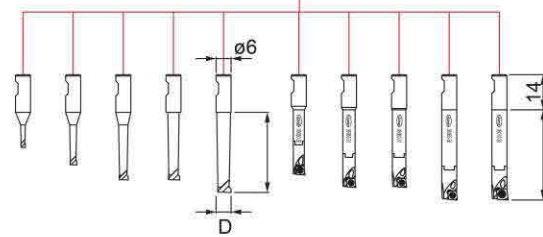


规格 Model	L1	净重 N.W.
BT30-HBOR25P	80	1.00
BT40-HBOR25P	70	1.60
SK30-HBOR25P	80	0.95
SK40-HBOR25P	70	1.10
HSK63-HBOR25P	95	1.65



鈷鋼刀杆 Carbide Bar

规格 Model	范围 D	深度 L1	单价 RMB
CA0602-09T	2-3.2	9	400
CA0603-16T	3-4.2	16	400
CA0604-22T	4-5.2	22	400
CA0605-27T	5-6.2	27	400
CA0606-32T	6-7.2	32	400



鈷鋼刀杆 Carbide Bar

规格 Model	范围 D	深度 L	刀片 blade	螺丝 Screw	板手 Wrench	单价 RMB
CB06050-21	5-6	21				800
CB06055-26	5.5-6.5	26	CCGT0301..L	T16040S	T6F	800
CB06060-26	6-7	26				800
CB06065-31	6.5-7.5	31				800
CB06070-31	7-8	31	CCGT0401..L	T20045S		800