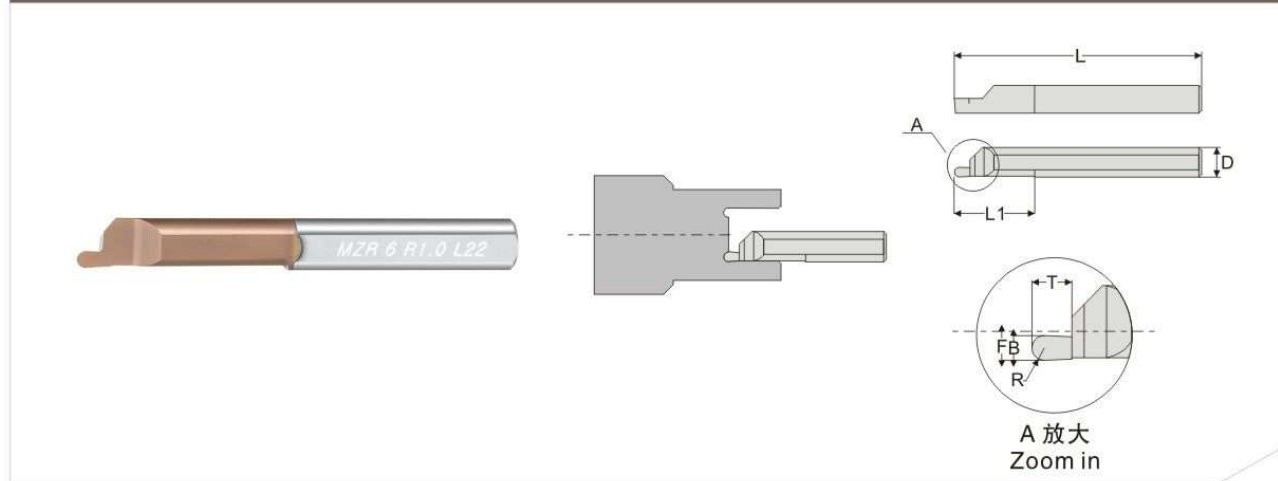


## MZR □ R□L□



### 技术参数(Technical parameters):

D	MODEL	L	L1	R	F	最小孔径 Minimum bore diameter
4.0	MZR 4 R0.5 L10	50	10	0.5	1.8	5.0
	MZR 4 R0.5 L15	50	15	0.5	1.8	5.0
	MZR 4 R0.75 L10	50	10	0.75	1.8	5.0
	MZR 4 R0.75 L15	50	15	0.75	1.8	5.0
5.0	MZR 5 R0.5 L15	50	15	0.5	2.3	6.0
	MZR 5 R0.5 L22	50	22	0.5	2.3	6.0
	MZR 5 R0.75 L15	50	15	0.75	2.3	6.0
	MZR 5 R0.75 L22	50	22	0.75	2.3	6.0
	MZR 5 R1.0 L15	50	15	1.0	2.3	6.0
	MZR 5 R1.0 L22	50	22	1.0	2.3	6.0
6.0	MZR 6 R0.5 L15	50	15	0.5	2.8	8.0
	MZR 6 R0.5 L22	50	22	0.5	2.8	8.0
	MZR 6 R0.75 L15	50	15	0.75	2.8	8.0
	MZR 6 R0.75 L22	50	22	0.75	2.8	8.0
	MZR 6 R1.0 L15	50	15	1.0	2.8	8.0
	MZR 6 R1.0 L22	50	22	1.0	2.8	8.0