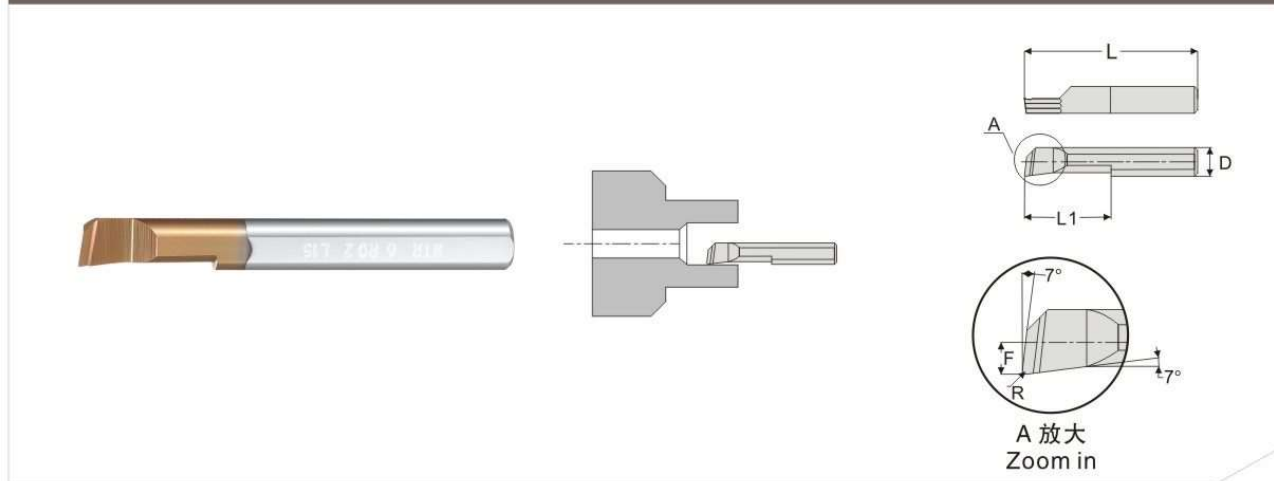


MTR □ R□L□



技术参数(Technical parameters):

D	MODEL	L	L1	R	F	最小孔径 Minimum bore diameter
3.0	MTR 2 R0.15 L5	50	5	0.15	0.8	2.1
	MTR 2 R0.15 L10	50	10	0.15	0.8	2.1
	MTR 3 R0.15 L10	50	10	0.15	1.3	3.1
	MTR 3 R0.15 L15	50	15	0.15	1.3	3.1
	MTR 3 R0.2 L10	50	10	0.2	1.3	3.1
	MTR 3 R0.2 L15	50	15	0.2	1.3	3.1
4.0	MTR 4 R0.15 L10	50	10	0.15	1.7	4.1
	MTR 4 R0.15 L15	50	15	0.15	1.7	4.1
	MTR 4 R0.15 L22	50	20	0.15	1.7	4.1
	MTR 4 R0.2 L10	50	10	0.2	1.7	4.1
	MTR 4 R0.2 L15	50	15	0.2	1.7	4.1
	MTR 4 R0.2 L22	50	20	0.2	1.7	4.1
5.0	MTR 5 R0.1 L15	50	15	0.1	2.2	5.1
	MTR 5 R0.1 L22	50	22	0.1	2.2	5.1
	MTR 5 R0.2 L15	50	15	0.2	2.2	5.1
	MTR 5 R0.2 L22	50	22	0.2	2.2	5.1
6.0	MTR 6 R0.1 L15	50	15	0.1	2.8	6.1
	MTR 6 R0.1 L22	50	22	0.1	2.8	6.1
	MTR 6 R0.2 L15	50	15	0.2	2.8	6.1
	MTR 6 R0.2 L22	50	22	0.2	2.8	6.1
8.0	MTR 7 R0.2 L22	60	22	0.2	3.3	7.1
	MTR 8 R0.2 L15	60	15	0.2	3.8	8.1
	MTR 8 R0.2 L25	60	25	0.2	3.8	8.1
10.0	MTR 10 R0.2 L35	75	35	0.2	4.8	10.1