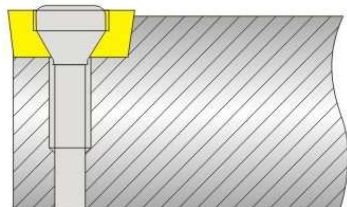
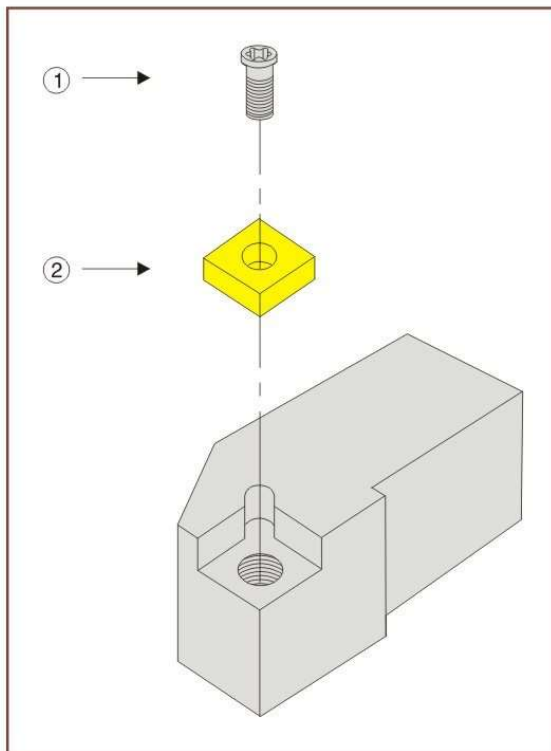


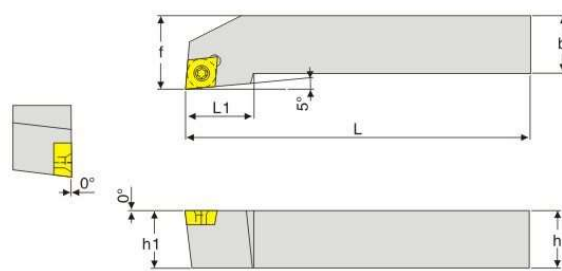
S-type, JS-type



- ① 螺丝
Screw
- ② 刀片
Insert

外圆刀(螺钉式) External Turning Holder(S-type)

SCLCR/L



型号 Model	刀片 Insert 	适用条件 Applicable conditions						配件 Accessories  	
		h	b	L	L1	h1	f	螺丝 Screw	扳手 Wrench
SCLCR/L0808D06	CC□□0602□□	08	08	80	10	08	10	M2.5×6	T8
SCLCR/L1010E06		10	10	100	12	10	10		
SCLCR/L1212F09	CC□□09T3□□	12	12	100	16	12	16	M4×8	T15
SCLCR/L1616H09		16	16	100	20	16	16		
SCLCR/L2020K09		20	20	125	25	20	20		
SCLCR/L2525M09		25	25	150	32	25	25		
SCLCR/L2020K12	CC□□1204□□	20	20	125	25	20	25	M5×12	T20
SCLCR/L2525M12		25	25	150	32	25	32		