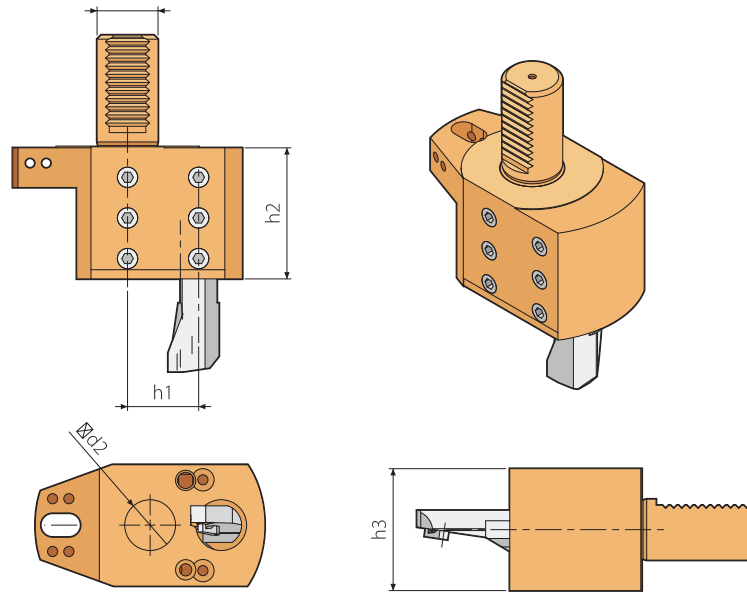


■ 固定刀座 DIN69880

STATIC TOOL HOLDER DIN69880

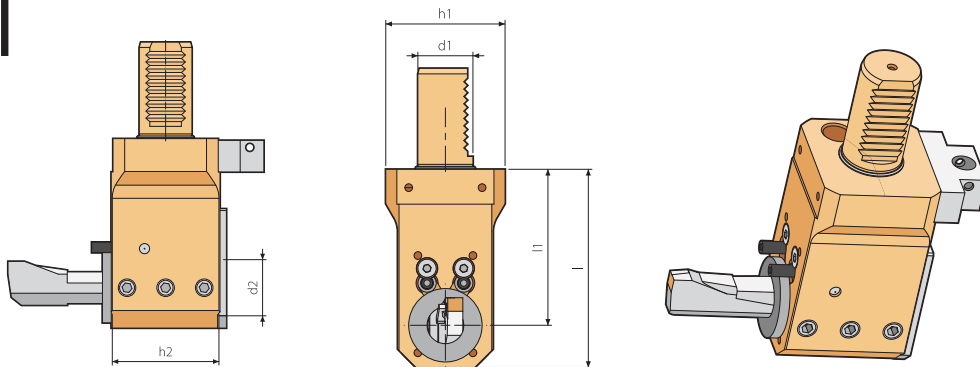
E2
OFFSET
偏心



DIMENSIONS

Order NO.	d1	d2	h1	h2	h3	N.W.Kg
E2-30-OFF35	30	25	35	65	65	2.60
E2-40-OFF65	40	40	65	85	80	3.40

T1



DIMENSIONS

Order NO.	d1	b2	l	l1	h1	h2	h3	N.W.Kg
T1-30×32-65	30	32	88	65	65	62	52	3.40
T1-30×32-85	30	32	108	85	65	62	52	3.60
T1-30×32-100	30	32	123	100	65	62	65	3.80
T1-40×40-85	40	40	112	85	80	85	65	4.40
T1-40×40-100	40	40	127	100	80	85	65	4.70