

HSK Tool Holder Device / 锁刀座



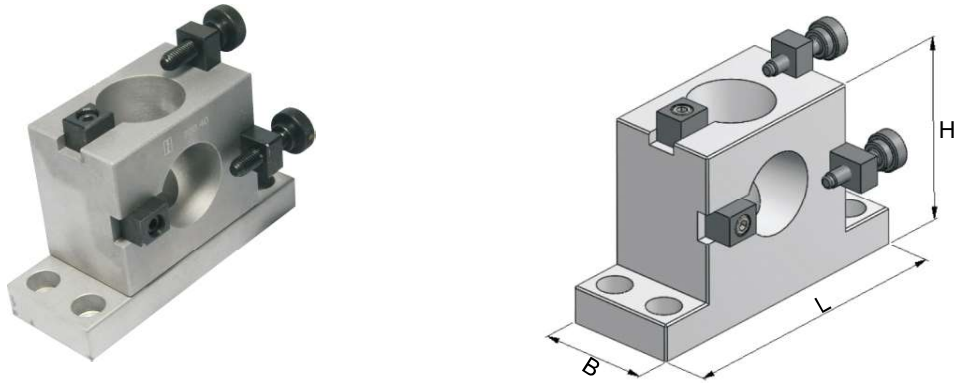
Order No. 货号	Size 型号	机床主轴 Spindle
6000.0032	TF-HSK32	HSK32
6000.0040	TF-HSK40	HSK40
6000.0050	TF-HSK50	HSK50
6000.0063	TF-HSK63	HSK63

Vertical Horizontal tool Holder Device / 刀柄锁刀座



Order No. 货号	Size 型号	Taper of Tool Holder 刀柄锥度	Outsize (mm) 外形尺寸	Weight(Kg) 重量
6000.0130	TF-BT30	BT30	205x98.5x128	3.70
6000.0140	TF-BT40	BT40	205x98.5x128	3.80
6000.0150	TF-BT50	BT50	275x150x198	11.40
6000.0230	TF-SK30	DIN69871.30	205x98.5x128	3.70
6000.0240	TF-SK40	DIN69871.40	205x98.5x128	3.80
6000.0250	TF-SK50	DIN69871.50	275x150x198	11.40
6000.0330	TF-CT30	CAT30	205x98.5x128	3.70
6000.0340	TF-CT40	CAT40	205x98.5x128	3.80
6000.0350	TF-CT50	CAT50	275x150x198	11.40

Tightening Fixtures Aluminium / 立卧两用锁刀座



Order No. 货号	Size 型号	L	H	B
6000.3030	TF-SK30/BT30	126	75	47
6000.4040	TF-SK40/BT40	160	100	60
6000.4050	TF-SK50/BT50	180	155	97