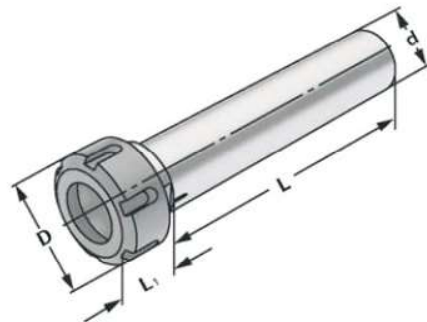
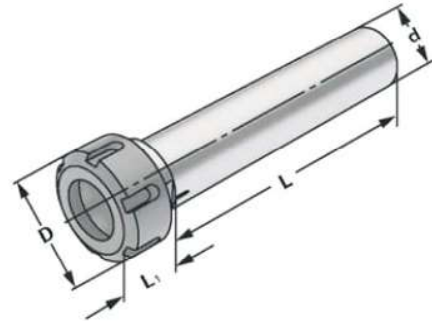


Collet Chucks with Straight Shank for Collets ER / 直柄ER接杆



Order No. 货号	Size 规格	Capacity 夹持方式	Capacity 夹持范围	d	D	L	L ₁
4012.UM11100	EC12-ER11UM-100	ER11(UM)	1-7	12	19	100	45
4012.UM16100	EC12-ER16UM-100	ER16(UM)	1-10	12	28	100	35
4016.UM11060	EC16-ER11UM-60	ER11(UM)	1-7	16	19	60	40
4016.UM11100	EC16-ER11UM-100	ER11(UM)	1-7	16	19	100	21
4016.UM16100	EC16-ER16UM-100	ER16(UM)	1-10	16	28	100	50
4016.UM16150	EC16-ER16UM-150	ER16(UM)	1-10	16	28	150	50
4020.UM16100	EC20-ER16UM-100	ER16(UM)	1-10	20	28	100	50
4020.UM16150	EC20-ER16UM-150	ER16(UM)	1-10	20	28	150	50
4020.UM20080	EC20-ER20UM-80	ER20(UM)	1-13	20	34	80	50
4020.UM20100	EC20-ER20UM-100	ER20(UM)	1-13	20	34	100	50
4020.UM20150	EC20-ER20UM-150	ER20(UM)	1-13	20	34	150	36
4020.UM25100	EC20-ER25UM-100	ER25(UM)	1-16	20	42	100	50
4020.UM25150	EC20-ER25UM-150	ER25(UM)	1-16	20	42	150	50
4025.UM16100	EC25-ER16UM-100	ER16(UM)	1-10	25	28	100	27
4025.UM16150	EC25-ER16UM-150	ER16(UM)	1-10	25	28	150	27
4025.UM20050	EC25-ER20UM-50	ER20(UM)	1-13	25	34	50	50
4025.UM20100	EC25-ER20UM-100	ER20(UM)	1-13	25	34	100	45
4025.UM20150	EC25-ER20UM-150	ER20(UM)	1-13	25	34	150	45

Collet Chucks with Straight Shank for Collets ER / 直柄ER接杆



Order No. 货号	Size 规格	Capacity 夹持方式	Capacity 夹持范围	d	D	L	L ₁
4025.UM25080	EC25-ER25UM-80	ER25(UM)	1-16	25	42	80	50
4025.UM25100	EC25-ER25UM-100	ER25(UM)	1-16	25	42	100	50
4025.UM25150	EC25-ER25UM-150	ER25(UM)	1-16	25	42	150	36
4025.UM32080	EC25-ER32UM-80	ER32(UM)	2-20	25	50	80	55
4025.UM32100	EC25-ER32UM-100	ER32(UM)	2-20	25	50	100	55
4032.UM25060	EC32-ER25UM-60	ER25(UM)	1-16	32	42	60	45
4032.UM25100	EC32-ER25UM-100	ER25(UM)	1-16	32	42	100	45
4032.UM32055	EC32-ER32UM-55	ER32(UM)	2-20	32	50	55	45
4032.UM32100	EC32-ER32UM-100	ER32(UM)	2-20	32	50	100	55
4032.UM40080	EC32-ER40UM-80	ER40(UM)	3-26	32	63	80	60
4040.UM32075	EC40-ER32UM-75	ER32(UM)	2-20	40	50	75	50
4040.UM32100	EC40-ER32UM-100	ER32(UM)	2-20	40	50	100	50
4040.UM40100	EC40-ER40UM-100	ER40(UM)	3-26	40	63	100	60

Collet Chucks with Straight Shank for Collets ER / 直柄ER接杆



Order No. 货号	Size 规格	Capacity 夹持方式	Capacity 夹持范围	d	D	L	L ₁
4010.M08.095	EC10-ER8M-95	ER8M	1-5	10	12	95	17
4010.M08.120	EC10-ER8M-120	ER8M	1-5	10	12	120	17
4012.M11.095	EC12-ER11M-95	ER11M	1-7	12	16	95	28
4012.M11.150	EC12-ER11M-150	ER11M	1-7	12	16	150	30
4012.M16.050	EC12-ER16M-50	ER16M	1-10	12	22	50	36
4012.M16.100	EC12-ER16M-100	ER16M	1-10	12	22	100	40
4016.M08.100	EC16-ER8M-100	ER8M	1-5	16	12	100	17
4016.M11.100	EC16-ER11M-100	ER11M	1-7	16	16	100	19
4016.M11.150	EC16-ER11M-150	ER11M	1-7	16	16	150	19
4016.M16.080	EC16-ER16M-80	ER16M	1-10	16	22	80	37
4016.M16.150	EC16-ER16M-150	ER16M	1-10	16	22	150	40
4016.M20.060	EC16-ER20M-60	ER20M	1-13	16	28	60	40
4016.M20.100	EC16-ER20M-100	ER20M	1-13	16	28	100	40
4016.M20.150	EC16-ER20M-150	ER20M	1-13	16	28	150	40
4020.M16.100	EC20-ER16M-100	ER16M	1-10	20	22	100	25
4020.M16.150	EC20-ER16M-150	ER16M	1-10	20	22	150	25
4020.M20.080	EC20-ER20M-80	ER20M	1-13	20	28	80	40
4020.M20.100	EC20-ER20M-100	ER20M	1-13	20	28	100	40
4020.M20.120	EC20-ER20M-120	ER20M	1-13	20	28	120	40
4020.M20.150	EC20-ER20M-150	ER20M	1-13	20	28	150	40
4020.M25.150	EC20-ER25M-150	ER25M	1-16	20	35	150	50
4020.M25.145	EC25-ER25M-145	ER25M	1-16	25	35	145	45