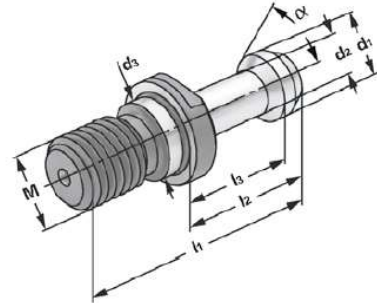


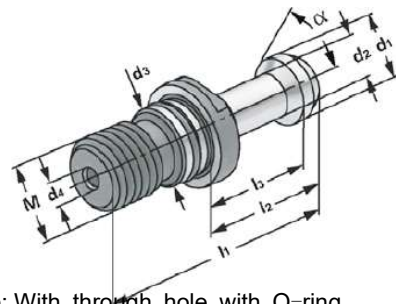
Pull Studs MAS 403 BT / MAS 403 BT 拉钉



应用范围: 盲孔, 不带密封圈, 用于不需要中心通水的刀柄。

Use: Without through hole, without O-ring.

Order No. 货号	Size 规格	M	d ₂	d ₃	α	l ₁	l ₃
2031.4045	PS-BT30-M12-45	M12	7	12.5	45°	43	18
2031.4060	PS-BT30-M12-60	M12	7	12.5	60°	43	18
2041.4045	PS-BT40-M16-45	M16	10	17	45°	60	28
2041.4060	PS-BT40-M16-60	M16	10	17	60°	60	28
2041.4090	PS-BT40-M16-90	M16	10	17	90°	60	28
2051.4045	PS-BT50-M24-45	M24	17	25	45°	85	35
2051.4060	PS-BT50-M24-60	M24	17	25	60°	85	35
2051.4090	PS-BT50-M24-90	M24	17	25	90°	85	35



应用范围: 通孔, 带密封圈, 用于需要中心通水的刀柄。

Use: With through hole, with O-ring.

Order No. 货号	Size 规格	M	d ₂	d ₃	d ₄	α	l ₁	l ₃
2041.1045	PS-BT40-M16-45-O	M16	10	17	4	45°	60	28
2041.1060	PS-BT40-M16-60-O	M16	10	17	4	60°	60	28
2041.1060	PS-BT40-M16-90-O	M16	10	17	4	90°	60	28
2051.1045	PS-BT50-M24-45-O	M24	17	25	6	45°	85	35
2051.1060	PS-BT50-M24-60-O	M24	17	25	6	60°	85	35
2051.1090	PS-BT50-M24-90-O	M24	17	25	6	90°	85	35