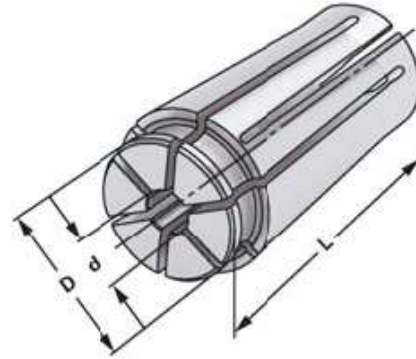
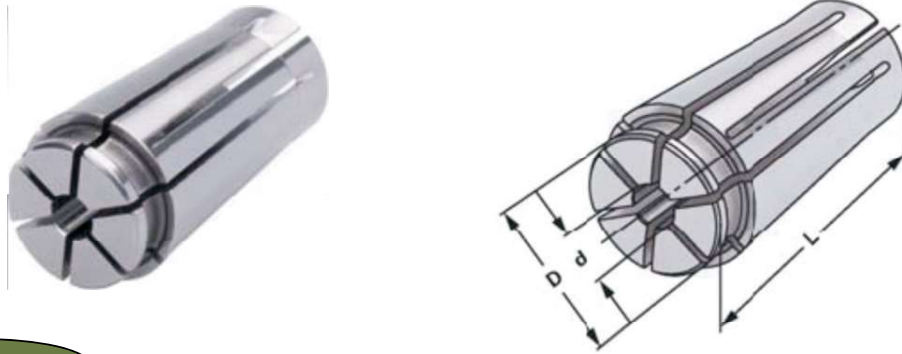


Precision collets HPS / HPS 高精度弹簧夹头



Order No. 货号	Size 规格	d 夹持直径	D	L
1210.00030	HPS10-3	3	15.5	30.5
1210.00035	HPS10-3.5	3.5	15.5	30.5
1210.0004	HPS10-4	4	15.5	30.5
1210.00045	HPS10-4.5	4.5	15.5	30.5
1210.0005	HPS10-5	5	15.5	30.5
1210.00055	HPS10-5.5	5.5	15.5	30.5
1210.0006	HPS10-6	6	15.5	30.5
1210.00065	HPS10-6.5	6.5	15.5	30.5
1210.0007	HPS10-7	7	15.5	30.5
1210.00075	HPS10-7.5	7.5	15.5	30.5
1210.0008	HPS10-8	8	15.5	30.5
1210.00085	HPS10-8.5	8.5	15.5	30.5
1210.0009	HPS10-9	9	15.5	30.5
1210.00095	HPS10-9.5	9.5	15.5	30.5
1210.0010	HPS10-10	10	15.5	30.5
<hr/>				
1216.0004	HPS16-4	4	24.6	45
1216.00045	HPS16-4.5	4.5	24.6	45
1216.0005	HPS16-5	5	24.6	45
1216.00055	HPS16-5.5	5.5	24.6	45
1216.0006	HPS16-6	6	24.6	45

Precision collets HPS / HPS高精密弹簧夹头



Order No. 货号	Size 规格	d 夹持直径	D	L
1216.00065	HPS16-6.5	6.5	24.6	45
1216.0070	HPS16-7	7	24.6	45
1216.00075	HPS16-7.5	7.5	24.6	45
1216.0008	HPS16-8	8	24.6	45
1216.00085	HPS16-8.5	8.5	24.6	45
1216.0009	HPS16-9	9	24.6	45
1216.00095	HPS16-9.5	9.5	24.6	45
1216.0010	HPS16-10	10	24.6	45
1216.00105	HPS16-10.5	10.5	24.6	45
1216.0011	HPS16-11	11	24.6	45
1216.00115	HPS16-11.5	11.5	24.6	45
1216.0012	HPS16-12	12	24.6	45
1216.00125	HPS16-12.5	12.5	24.6	45
1216.0013	HPS16-13	13	24.6	45
1216.00135	HPS16-13.5	13.5	24.6	45
1216.0014	HPS16-14	14	24.6	45
1216.00145	HPS16-14.5	14.5	24.6	45
1216.0015	HPS16-15	15	24.6	45
1216.00155	HPS16-15.5	15.5	24.6	45
1216.0016	HPS16-16	16	24.6	45