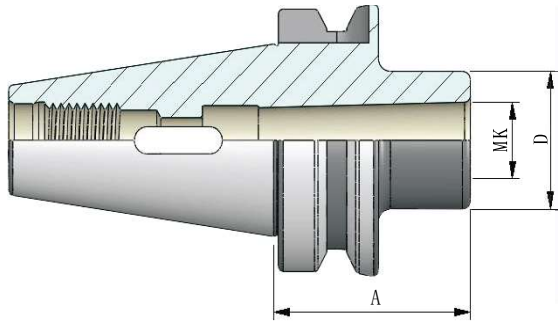




Morse Taper ToolHolder / BT- 带扁尾莫氏刀柄



G6.3 12,000min⁻¹

≤ 0.005

DIN 6383

BT- 带扁尾莫氏刀柄

Order No. 货号	Size 规格	MK 莫氏锥度	D 外径	Cooling 冷却方式	A 有效长度
31.3001.45	BT30-MTA1-45	MK1	25	AD	45
31.3002.60	BT30-MTA2-60	MK2	32	AD	60
31.3003.80	BT30-MTA3-80	MK3	40	AD	80
41.3001.45	BT40-MTA1-45	MK1	25	AD	45
41.3002.50	BT40-MTA2-50	MK2	32	AD	50
41.3003.70	BT40-MTA3-70	MK3	40	AD	70
41.3004.95	BT40-MTA4-95	MK4	48	AD	95
41.3004.135	BT40-MTA4-135	MK4	48	AD	135
51.3001.45	BT50-MTA1-45	MK1	25	AD	45
51.3002.50	BT50-MTA2-50	MK2	32	AD	60
51.3002.60	BT50-MTA2-60	MK2	32	AD	60
51.3002.120	BT50-MTA2-120	MK2	32	AD	120
51.3003.65	BT50-MTA3-65	MK3	40	AD	65
51.3003.75	BT50-MTA3-75	MK3	40	AD	75
51.3003.120	BT50-MTA3-120	MK3	40	AD	120
51.3003.150	BT50-MTA3-150	MK3	40	AD	150
51.3004.95	BT50-MTA4-95	MK4	48	AD	95
51.3005.105	BT50-MTA5-105	MK5	63	AD	105