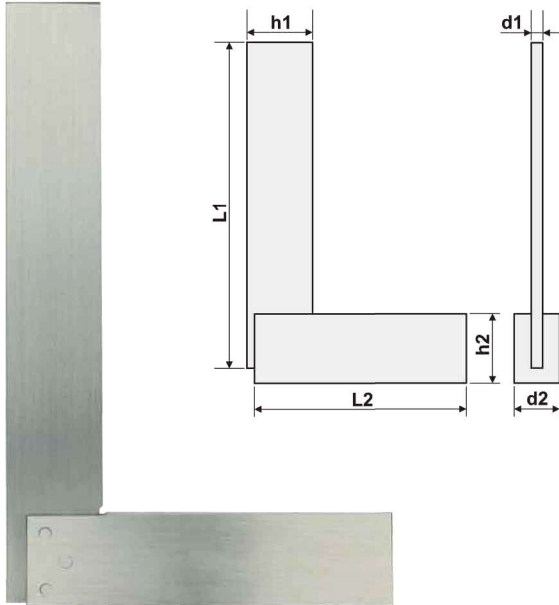


宽座直角尺

Wide-stand Square



主要特点:

- 整体淬硬的不锈钢制成
- 用于测量工件的垂直度
- 工作面为小平面，底座较宽
- 稳定、退磁处理

FEATURES:

- Made of integrally hardened stainless steel
- Used to measure the perpendicularity of the workpiece
- The working face is a small plane and the base is wide
- Stabilization and demagnetization

货号 Code NO.	规格 L1*L2(mm)	h1 mm	h2 mm	d1 mm	d2 mm	执行标准
413-501	63*40	16	16	2	11	GB/T6092-2021 精度等级: 0级
413-502	80*50	18	18	2	12	
413-503	100*63	20	20	2.5	12	
413-504	125*80	22	22	2.5	12	
413-505	160*100	25	25	3	16	
413-506	200*125	28	28	3	16	
413-507	250*160	35	35	3.8	20	
413-508	315*200	35	35	3.8	20	
413-509	400*250	46	46	4.8	25	
413-510	500*315	46	46	4.8	25	
413-511	630*400	50	50	4.8	25	
413-512	800*500	78	78	6.8	28	
413-513	1000*630	78	78	6.8	28	

双头圆柱塞规

Double-head Cylindrical Plug Gauge

J



主要特点:

- 用于测量工件内圆尺寸的精密量具
- 材质有普通 (GCr15), 合金

FEATURES:

- Precision measuring tool for measuring the inner diameter of workpiece
- The material is common(GCr15), alloy

货号 Code NO.	规格 Range mm	精度 Accuracy mm	货号 Code NO.	规格 Range mm	精度 Accuracy mm	
023-1Axxx	1.5~2.9	国家标准 H7	023-1Axxx	55.1~60	国家标准 H7	
023-1Axxx	3~6		023-1Axxx	60.1~70		
023-1Axxx	6.1~14.9		023-1Axxx	70.1~75		
023-1Axxx	15~18		023-1Axxx	75.1~80		
023-1Axxx	18.1~24		023-1Axxx	80.1~85		
023-1Axxx	24.1~30		023-1Axxx	85.1~90		
023-1Axxx	30.1~38		023-1Axxx	90.1~95		
023-1Axxx	38.1~44		023-1Axxx	95.1~100		
023-1Axxx	44.1~50		023-1Axxx	50.1~55		
023-1Axxx	50.1~55					