

**横式数显标尺**

Digital Scale Units (H-Type)



分辨率: 0.01mm  
Resolution: 0.01mm

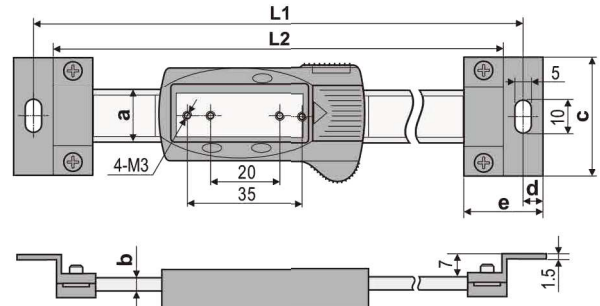
**主要特点:**

- 移动框背面有连接孔，两头带支架，便于安装
- 任意位置清零，便于相对测量与绝对测量转换
- 带数据保持功能（量程 ≥ 500mm 时）
- 带预置数功能（量程 ≥ 500mm 时）
- 任意位置公制与英制转换

**FEATURES:**

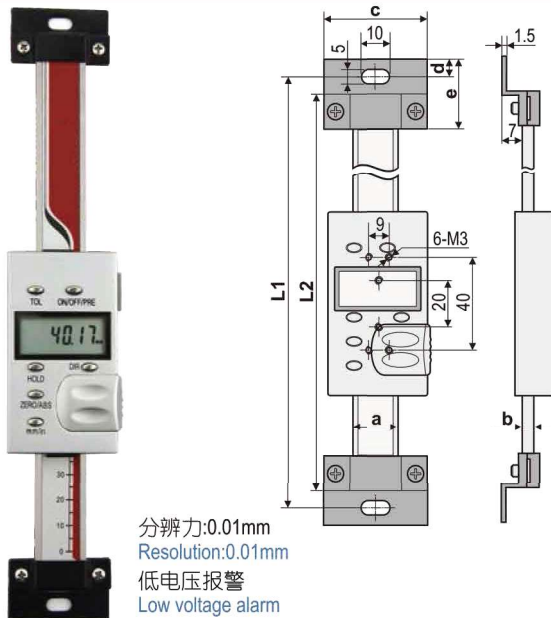
- Screw holes and brackets are available for installing
- Zero-setting at any position, convenient for relative and absolute measure conversion
- Data hold (range ≥ 500mm)
- Preset any reading at any position (range ≥ 500mm)
- Mm/inch conversion at any position

货号 Code NO.	测量范围 Measuring Range mm	精度 Accuracy mm	L1 mm	L2 mm	a mm	b mm	c mm	d mm	e mm
812-100	0-100	± 0.02	206	194	16	4	36	6	24
812-101	0-150	± 0.03	256	244	16	4	36	6	24
812-102	0-200	± 0.03	306	294	16	4	36	6	24
812-103	0-300	± 0.04	436	424	16	4	36	6	24
812-104	0-400	± 0.05	536	524	16	4	36	6	24
812-105	0-500	± 0.05	670	654	24	5.5	45	8	32
812-106	0-600	± 0.08	770	754	24	5.5	45	8	32
812-107	0-700	± 0.08	870	854	24	5.5	45	8	32
812-108	0-800	± 0.10	970	954	24	5.5	45	8	32
812-109	0-900	± 0.10	1070	1054	24	5.5	45	8	32
812-110	0-1000	± 0.10	1224	1204	31	10.5	60	10	40
812-112	0-1200	± 0.12	1424	1404	31	10.5	60	10	40
812-115	0-1500	± 0.14	1724	1704	31	10.5	60	10	40
812-120	0-2000	± 0.20	2224	2204	31	10.5	60	10	40



**竖式数显标尺**

Digital Scale Units (V-Type)



分辨率: 0.01mm  
Resolution: 0.01mm  
低电压报警  
Low voltage alarm



货号 Code NO.	测量范围 Measuring Range mm	精度 Accuracy mm
812-201-40	0-150	± 0.03
812-202-40	0-200	± 0.03
812-203-40	0-300	± 0.04
812-204-40	0-400	± 0.05

货号 Code NO.	测量范围 Measuring Range mm	精度 Accuracy mm	L1 mm	L2 mm	a mm	b mm	c mm	d mm	e mm
812-200G	0-100	± 0.02	236	224	20	4	40	6	24
812-201G	0-150	± 0.03	286	274	20	4	40	6	24
812-202G	0-200	± 0.03	336	324	20	4	40	6	24
812-203G	0-300	± 0.04	436	424	20	4	40	6	24
812-204G	0-400	± 0.05	536	524	20	4	40	6	24
812-205G	0-500	± 0.05	670	654	24	5.5	45	8	32
812-206G	0-600	± 0.08	770	754	24	5.5	45	8	32
812-207G	0-700	± 0.08	870	854	24	5.5	45	8	32
812-208G	0-800	± 0.10	970	954	24	5.5	45	8	32
812-209G	0-900	± 0.10	1070	1054	24	5.5	45	8	32
812-210G	0-1000	± 0.10	1224	1204	31	10.5	60	10	40
812-212G	0-1200	± 0.12	1424	1404	31	10.5	60	10	40
812-215G	0-1500	± 0.14	1724	1704	31	10.5	60	10	40
812-220G	0-2000	± 0.20	2224	2204	31	10.5	60	10	40

**主要特点:**

- 移动框背面有连接孔，两头带支架，便于安装
- 任意位置清零，便于相对测量与绝对测量转换
- 带数据保持功能
- 带预置数功能
- 任意位置公制与英制转换

**FEATURES:**

- Screw holes and brackets are available for installing
- Zero-setting at any position, convenient for relative and absolute measure conversion
- Data hold
- Preset any reading at any position
- Mm/inch conversion at any position