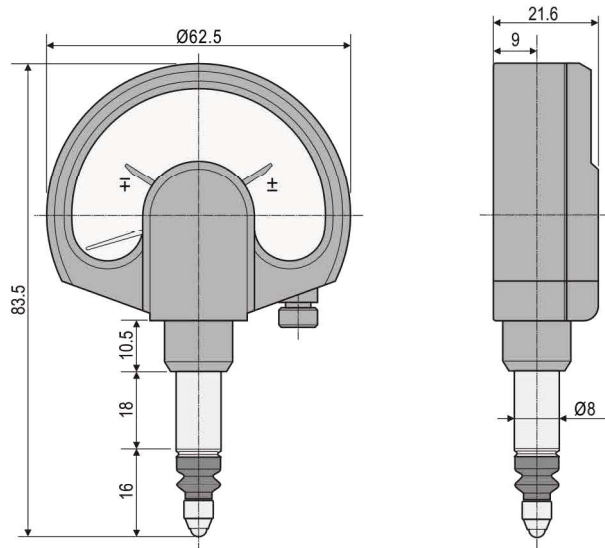


**杠杆齿轮比较仪**

Mechanical Dial Comparator



**主要特点:**

- 高准确度 (7钻)
- 防震
- 防水防尘
- 读数方便
- 有微调机构
- 快门线提升测轴

**FEATURES**

- High accuracy (Rubies 7)
- Shockproof
- Waterproof, dustproof
- Easy to read
- Easy fine adjustment
- Shutter line lift the measuring spindle

货号 Code NO.	分度值 Readings mm	测量范围 Measuring Range mm	表盘读数 Dial reading
320-105A	0.001	±0.05	50-0-50

**杠杆指示表**

Dial Test Indicator



**主要特点:**

- 可以准确方便的测量狭长和凹进面,及难以测量的内外直径尺寸
- 采用特殊装置实现测量方向的自动换向
- 采用8钻,具有高灵敏度和快速响应
- 多种材料测头供选择(硬质合金、淬硬钢、宝石)
- Ø6h7的夹环柄为选购件

**FEATURES**

- Performs easy and accurately measurement of narrow or recessed areas and inside and outside diameters that measured difficulty
- Special structure for automatic reversal of measuring direction
- High-sensibility and quick-response (8 jeweled)
- Contact points made of various materials are optional (carbide, steel hardened, jewel)
- Stem of clamp ring (Ø6h7) is optional

货号 Code NO.	分度值 Readings mm	测量范围 Measuring Range mm	表盘读数 Dial reading	表圈外径 Ring diameter mm	测杆长 Measuring Spindle mm	备注 Remark
322-001	0.002	0-0.2	0-100-0	Ø40 Ø32	14.7	Lb411
322-221	0.01	0-0.8	0-40-0	Ø38 Ø30	15.7	LB433H
322-301	.0001"	0-.008"	0-4-0	Ø38 Ø32	14.7	Lb460
322-311	.0005"	0-.03"	0-15-0	Ø38 Ø32	15.7	Lb470

