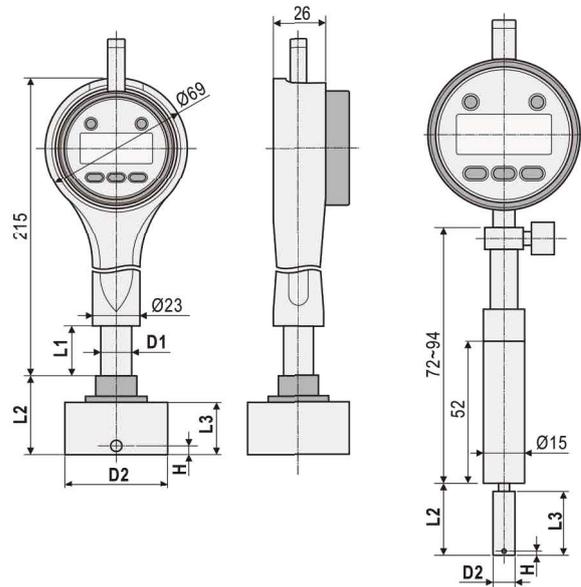


**电子塞规**

Plug Gauge



分辨率: 0.001mm  
Resolution: 0.001mm



**订货需知:**

- A. 测量尺寸依客户需求定制;
- B. 定制尺寸为孔的最小极限尺寸, 例如: 工件尺寸 $\varnothing 50D7(\varnothing 50^{+0.105}_{+0.08})$ , 定制塞规尺寸为 $\varnothing 50.080$ ; 工件尺寸 $\varnothing 35H7(\varnothing 35^{+0.025}_0)$ , 定制塞规尺寸为 $\varnothing 35.000$ ;
- C. 配置的校对环规一般为孔的最小极限尺寸; 特别要求可以依用户要求定制。

**NOTE:**

- A. Customized measuring size;
- B. Customized measuring range is the minimum size of hole. For example, if size of work piece is  $\varnothing 50D7(\varnothing 50^{+0.105}_{+0.08})$ , then the customized size should be  $\varnothing 50.080$ ; if the size of work piece is  $\varnothing 35H7(\varnothing 35^{+0.025}_0)$ , then the customized size should be  $\varnothing 35.000$ .
- C. Setted setting ring is with the minimum size, if need special size have to contact with us.

**主要特点:**

- 高精度, 高重复性: 精度0.002mm, 重复性0.001mm
- 结实耐用, 耐冲击
- 易使用, 易保养
- 配有不同的测头, 可以测量3-270mm的孔内径

**FEATURES**

- High precision: 0.002mm High repeatability: 0.001mm
- Durable and high shock resistance
- Easy to use and maintenance
- With different measuring tips, can measure 3-270mm hole

**手柄和塞规头参数**

Specifications of Bar & Plug Gauge Head

手柄型号 Bar code	L1	D1	链接螺纹M Screw thread size M
MH6-150-P	18	Ø10	M6X0.75
MH10-150-P	25	Ø15	M10X1
MH4-67-F	—	—	M3.5X0.35

塞规头型号 Plug gauge head code	D2	L2	L3	M	H	测量范围 Measuring Range um	适用手柄 Bar code	
S型 适用于盲孔测量 S type blind hole measurement	S4	$2.98 \leq D2 < 9$	31.3	23.3	M3.5X0.35	1.5	100	MH4-67-F
	S6	$7 \leq D2 < 20$	33.5	25	M6X0.75	3	150	MH6-150-P
	S10	$15 \leq D2 < 44$	39	26	M10X1	3.5	200	MH10-150-P
	S10	$44 \leq D2 < 70$	39.5	26	M10X1	4	200	MH10-150-P
D型 适用于通孔测量 D type through hole measurement	D4	$2.98 \leq D2 < 9$	35.8	27.8	M6X0.75	6	100	MH4-67-F
	D6	$7 \leq D2 < 20$	39.5	31	M10X1	9	150	MH6-150-P
	D10	$44 \leq D2 < 70$	45	32	M10X1	9.5	200	MH10-150-P
	D10	$44 \leq D2 < 70$	46	26	M10X1	10.5	200	MH10-150-P
FB型 适用于浅盲孔测量 FB type shallow blind hole measurement	FB6	$7 \leq D2 < 16$	31.1	22.6	M10X1	0.6	150	MH6-150-P
	FB10	$15 \leq D2 < 44$	39	26	M10X1	1.1	150	MH10-150-P
	FB10	$44 \leq D2 < 70$	39	25.5	M10X1	1.1	150	MH10-150-P
	FB10	$70 \leq D2 < 150$	39	32.5	M10X1	1.1	150	MH10-150-P