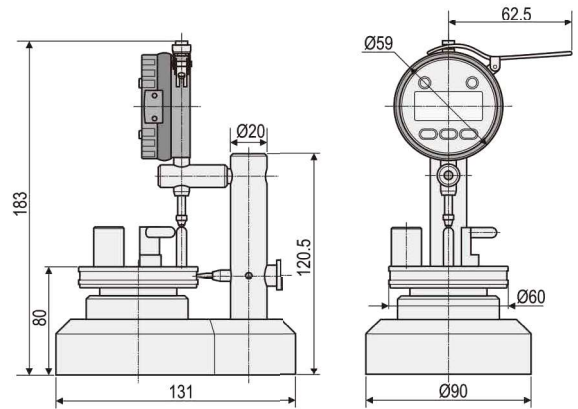


胶囊壁厚测量仪

Thickness Indicator for Capsule



货号 Code NO.	测量范围 Measuring Range mm	分辨力 Resolution mm	精度 Accuracy mm
316-170	0-10	0.001	0.003

主要特点:

- 对医用胶囊的主要尺寸进行检测：顶部厚度、群部厚度、外径、长度
- 重量轻，体积小，占用空间小，可用于生产现场和进出货检验
- 操作和维护简单，无需专门培训即可使用
- 测量快捷，精度高
- 根据用户要求，定制不同的测头，以适用于不同型号的胶囊的尺寸测量

FEATURES

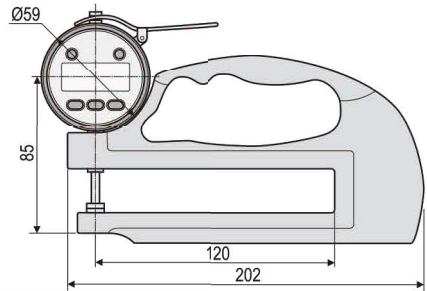
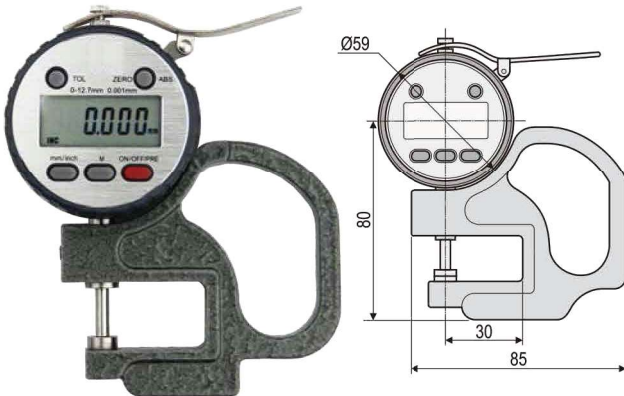
- Inspect the size of each side of the capsule, including the top thickness, group thickness, outer diameter and length
- Light weight, small size
- Simple operation and easy to maintenance
- Quick measurement, high accuracy
- Customized measuring tip is available

数显测厚表

Digital Thickness Gauge



H



主要特点:

- 任意位置清零
- 应用范围广泛，有多种测量面
- 测量珠宝、皮革、金属薄板、纸张、薄膜、金属丝和类似材料的厚度
- 可快速寻找最大值和最小值

FEATURES

- Zero-setting at any position
- Universal purposes with many kinds of measuring faces
- Suited for measuring thickness of paper film, wire, sheet metal, jewelry, leather and similar materials
- Can fast trace MAX/MIN value

货号 Code NO.	测量范围 Measuring Range mm	分辨力 Resolution mm	精度 Accuracy mm	测量深度 Probe Depth mm
316-150	0-10	0.01	0.03	30
316-151	0-10	0.01	0.03	120
316-160A	0-10	0.001	0.009	30
316-161A	0-10	0.001	0.009	120