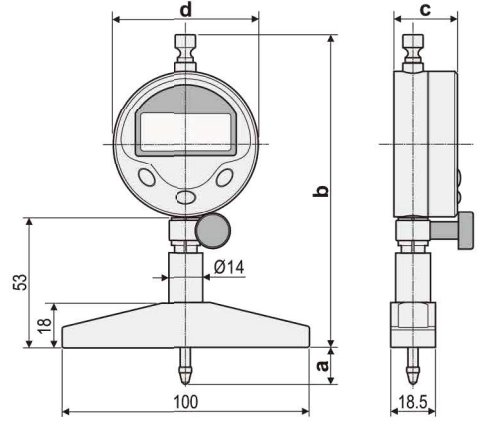


**测深表**

Depth Indicator



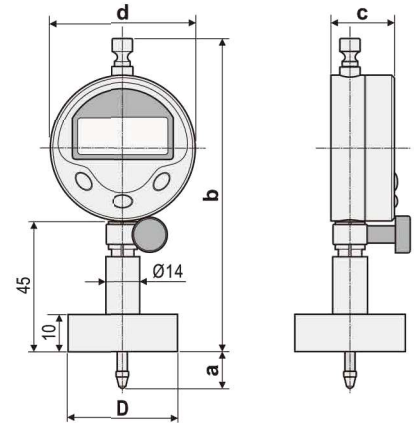
分辨率:0.01mm  
Resolution:0.01mm



矩形表座(723-303)  
Square Base



圆形表座(723-302)  
Round Base



**圆形表座参数**  
Specifications of Round Base

货号 Code NO.	D
723-302A	Ø16
723-302B	Ø25
723-302	Ø40

**主要特点:**

- 夹紧机构可靠快捷，外露的夹头更方便观察
- 加高的测量座，便于操作和观察
- 多种配置，适应不同用户的需求

**FEATURES**

- With a stable locking part
- Different bases for easy measuring
- With several sets for meeting different measuring needs

**A系列 A Series**

货号 Code NO.	表座货号 Base Code	指示表货号 Indicator Code	测量范围 Measuring Range mm	a mm	b mm	c mm	d mm
317A-312-101-11	723-303	312-101-11	0-12.7	13.5	125	25	Ø57.5
317A-312-102-11		312-102-11	0-25	26.5	125	25	Ø57.5
317A-314-101-25		314-101-25	0-12.7	13.5	134.5	26.5	Ø59
317A-314-102-25		314-102-25	0-25	26.5	188.5	42	—
317A-321-123-4		312-123-4	0-10	11.5	128	24.5	Ø56

**B系列 B Series**

货号 Code NO.	表座货号 Base Code	指示表货号 Indicator Code	测量范围 Measuring Range mm	a mm	b mm	c mm	d mm
317B-312-101-11	723-302	312-101-11	0-12.7	13.5	125	25	Ø57.5
317B-312-102-11		312-102-11	0-25	26.5	125	25	Ø57.5
317B-314-101-25		314-101-25	0-12.7	13.5	134.5	26.5	Ø59
317B-312-102-25		314-102-25	0-25	26.5	188.5	42	—
317B-321-123-4		312-123-4	0-10	11.5	128	24.5	Ø56

注：上表未列出的，可按用户要求进行配置。  
Note: Users can match the Base with Indicator according to measuring requirements.