

绝对原点数显比较仪

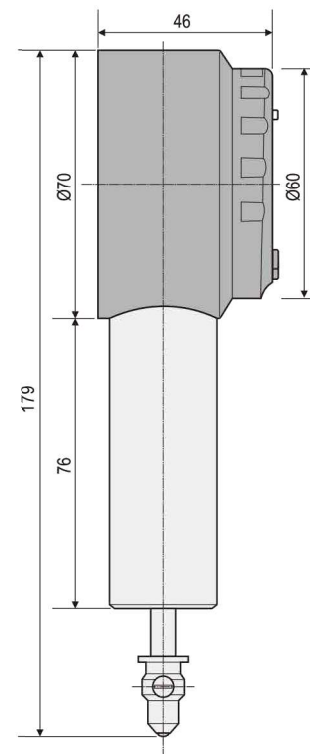
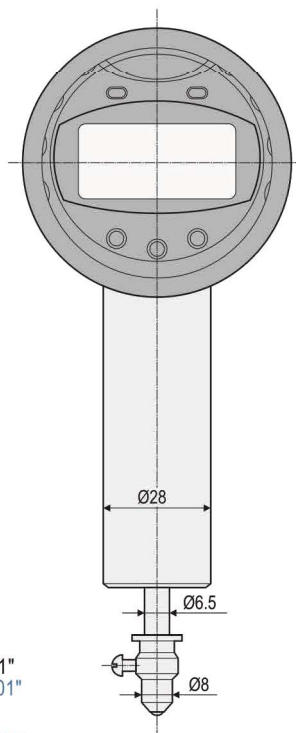
Absolute Digital Display Comparator



NEW



分辨力: 0.0005mm/0.00001"
Resolution: 0.0005mm/0.00001"
采用可充电锂电池供电
With rechargeable lithium battery



主要特点:

- 采用绝对编码光栅位移传感器技术, 无响应速度限制, 且数据处理更快更稳
- 采用内置可充电锂电池, 连续监测时可以将充电器长时间工作
- 任意位置清零
- 公英制转换
- 记录连续测量过程中的最大值或最小值
- 记录连续测量的最大与最小值之差(Δ), 用于平面度和同轴度的测量
- 在测量过程中, 根据设置的上下极限尺寸可自动判定工件是否合格
- 对工件进行分段测量, 测量结束后可以将多段数据进行累加
- 以绝对原点方式测量。测量前预置一个基本尺寸, 测量时读出来的数据是工件的实际尺寸, 即实际尺寸=预置基本尺寸+偏差
- 测量的数据可通过数据采集系统进行数据传输

FEATURES

- Absolute coding grating displacement sensor technology, no limit for response speed, data processing is faster and more stable
- Build-in rechargeable lithium battery, external charger can be used for continuous monitoring
- Zero-setting at any position
- Mm/inch conversion at any position
- Hold the max or the minimum reading during measurement
- Tracing the balance between Max and Min value (Δ =MAX-MIN)
- TOL Setting can check if the item is regular
- Segment measurement of workpiece, accumulate segment data after measurement
- Original setting without repeated zero-setting. Preset one basic size before measurement, and the data read out during measurement is the actual size of the workpiece, that is, the actual size = preset basic size + deviation
- Measuring value can be transmitted to PC

货号 Code NO.	测量范围 Measuring Range mm	精度 Accuracy mm	测量力 Measuring Force N
310-201WH	0-5	≤0.0014	≤1.5

