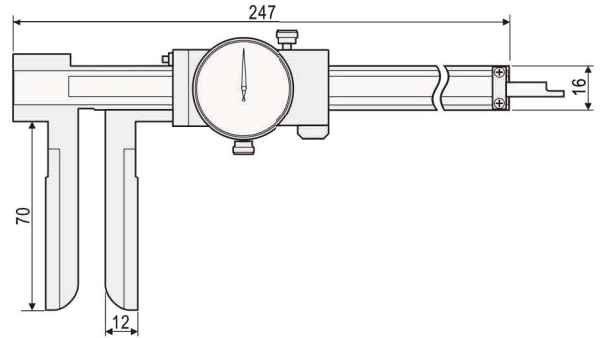
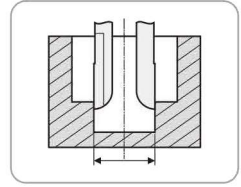
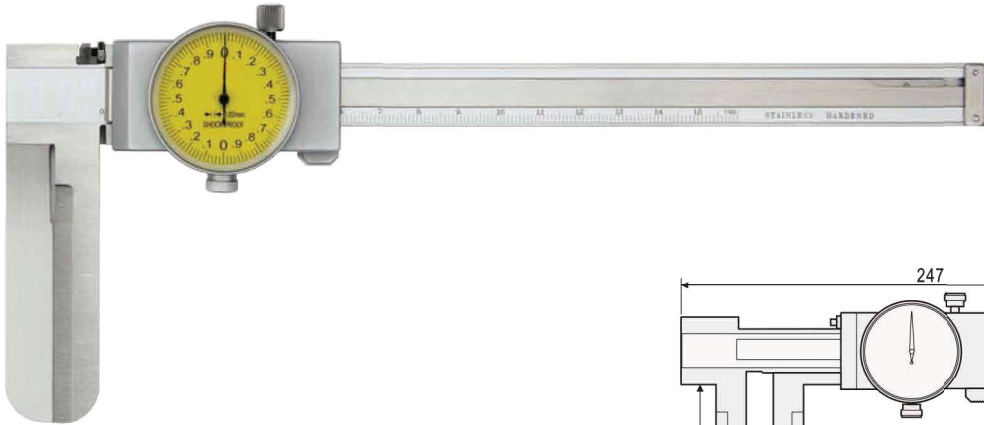


**长爪内径带表卡尺**

Dial Caliper with Long Internal Measuring Jaws



**主要特点:**

- 可测量阶梯深孔直径
- 读数清晰、直观
- 刻度盘位置可调整，并借助锁紧螺钉紧固

**FEATURES**

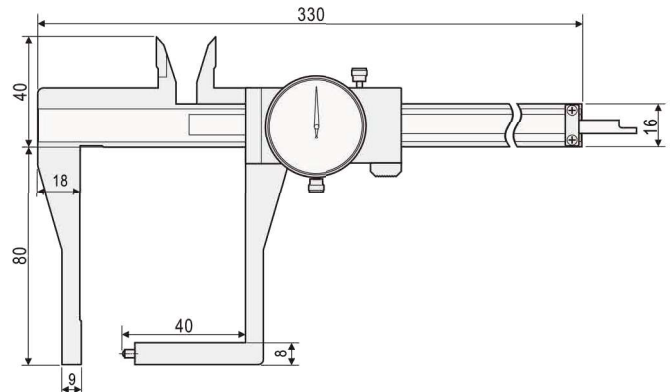
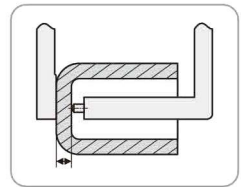
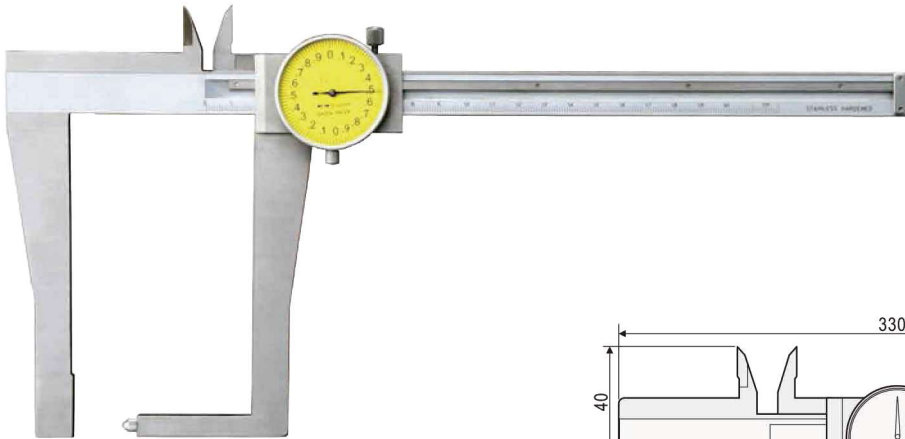
- Use for measuring diameter of step deep hole
- Easy to read
- The adjustable dial face can be fastened by a clamping screw

货号 Code NO.	测量范围 Measuring Range mm	分度值 Graduation mm	精度 Accuracy mm	示值/周 Range/rev.
173-132	12-150	0.02	± 0.05	2

F

**特殊壁厚带表卡尺**

Dial Caliper with Special Measuring Jaws for Tube Thickness



**主要特点:**

- 可测量一端面到另一沟槽的尺寸
- 测量大管件壁厚
- 读数清晰、直观
- 刻度盘位置可调整，并借助锁紧螺钉紧固

**FEATURES**

- For measuring from one end to the other end of groove
- For measuring tube thickness of big workpiece
- Easy to read
- The adjustable dial face can be fastened by a clamping screw

货号 Code NO.	测量范围 Measuring Range mm	分度值 Graduation mm	精度 Accuracy mm	示值/周 Range/rev.
174-144A	0-200	0.02	± 0.05	2