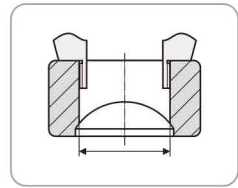


**带定位面五用数显卡尺**

Digital Caliper for Locating the Base Level



分辨力:0.01mm  
Resolution:0.01mm

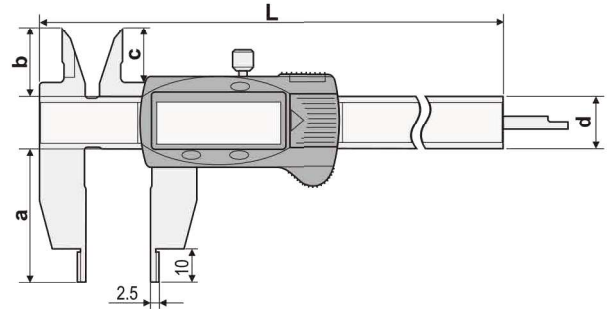


**主要特点:**

- 下爪带定位面，方便快速测量内径
- 任意位置清零，便于相对测量与绝对测量转换
- 任意位置公制与英制转换

**FEATURES**

- Locating blocks are easy for ID measurements
- Zero-setting at any position, convenient for relative and absolute measure conversion
- Mm/inch conversion at any position



货号 Code NO.	测量范围 Measuring Range mm	精度 Accuracy mm	L mm	a mm	b mm	c mm	d mm
112-661	0-150	± 0.03	236	40	21	16.5	16
112-662	0-200	± 0.03	286	50	24	19.5	16
112-663	0-300	± 0.04	400	60	26	21.5	16

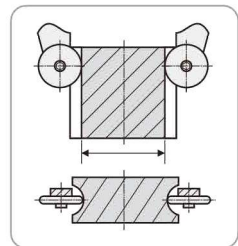
F

**盘形测头内 / 外沟槽数显卡尺**

Digital Caliper with Arc-Shape Measuring Anvils for Inside and Outside Groove



分辨力:0.01mm  
Resolution:0.01mm

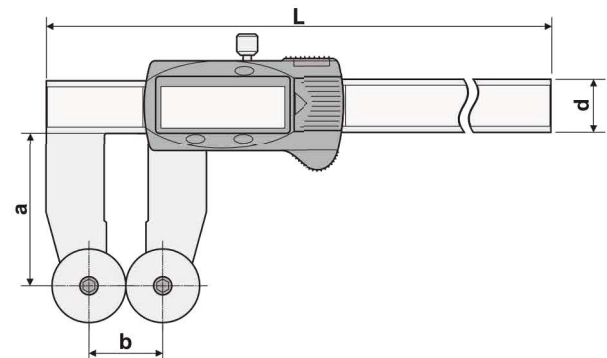


**主要特点:**

- 精密盘形测头
- 专用于测量截面为半圆形的内/外沟槽尺寸（如滑轮槽）
- 任意位置清零，便于相对测量与绝对测量转换
- 任意位置公制与英制转换

**FEATURES**

- Arc-shape measuring faces
- Used for measuring the arc-shaped outside and inside groove (such as pulley groove)
- Zero-setting at any position, convenient for relative and absolute measure conversion
- Mm/inch conversion at any position



货号 Code NO.	测量范围 Measuring Range mm	精度 Accuracy mm	L mm	a mm	b mm	d mm
111-500-T1	0-300	± 0.05	415	40	36	17
111-504-T1	0-500	± 0.06	670	80	44	24