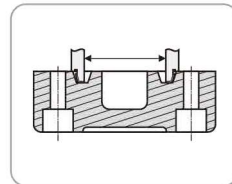


特制密封槽数显卡尺

Special Digital Caliper for Seal Grooves



分辨率:0.01mm
Resolution:0.01mm

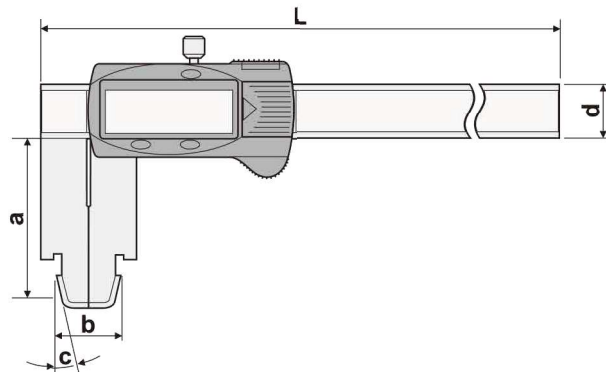


主要特点:

- 专用于测量端盖上特制角度V形密封槽中心直径
- 任意位置清零，便于相对测量与绝对测量转换
- 任意位置公制与英制转换

FEATURES

- Used for measuring the distance between two V-shape seal grooves
- Zero-setting at any position, convenient for relative and absolute measure conversion
- Mm/inch conversion at any position

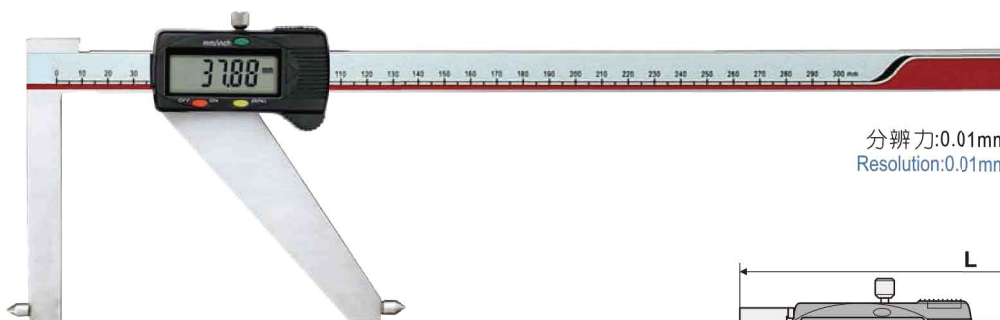


货号 Code NO.	测量范围 Measuring Range mm	精度 Accuracy mm	L mm	a mm	b mm	c	d mm
115-463	0-300	± 0.03	410	50	19	9°30'/10°/12°/45°/14°	17
115-463-1	0-300	± 0.03	410	60	19	9°30'/10°/12°/45°/14°	17

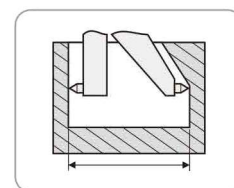
F

斜爪圆柱头内沟槽数显卡尺

Digital Caliper with Round Measuring Points for Inside Grooves



分辨率:0.01mm
Resolution:0.01mm

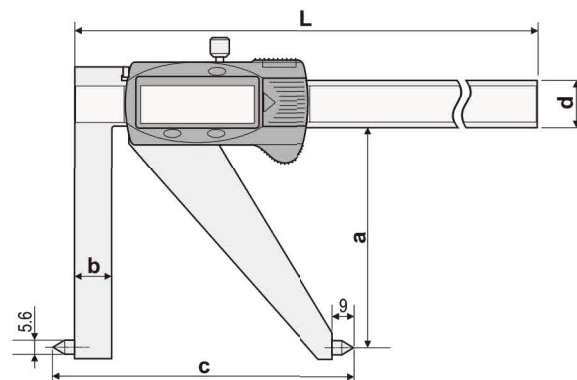


主要特点:

- 用于测量一侧斜面较大的内沟槽尺寸
- 任意位置清零，便于相对测量与绝对测量转换
- 任意位置公制与英制转换

FEATURES

- Used for inside groove measurements on a bevel surface
- Zero-setting at any position, convenient for relative and absolute measure conversion
- Mm/inch conversion at any position



货号 Code NO.	测量范围 Measuring Range mm	精度 Accuracy mm	L mm	a mm	b mm	c mm	d mm
115-473	120-250	± 0.03	350	80	12	120	16
115-475	120-500	± 0.04	640	100	15	120	20