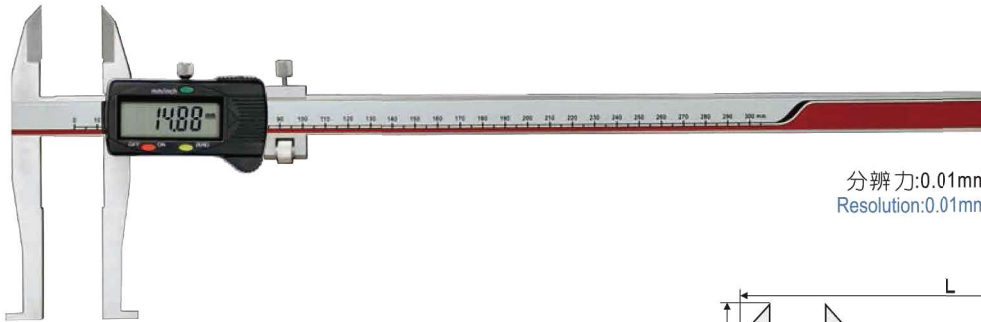
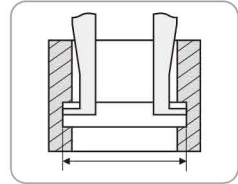


### 上外爪 / 下内沟槽数显卡尺

Standard Upper Jaws Digital Caliper with Special Lower Jaws



分辨力:0.01mm  
Resolution:0.01mm

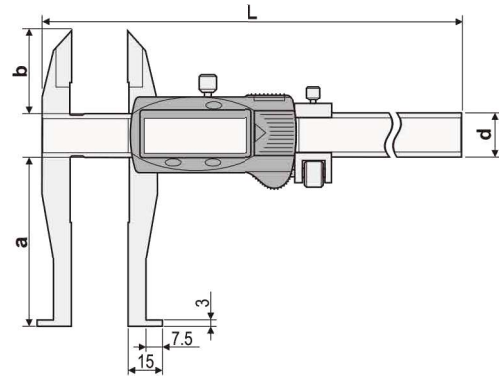


#### 主要特点:

- 加长的下内沟测量爪, 便于测量深孔中的内沟槽尺寸, 上爪用于测外径
- 任意位置清零, 便于相对测量与绝对测量转换
- 任意位置公制与英制转换

#### FEATURES

- Long lower jaws used for inside groove measurements, upper jaws are used for OD measurements
- Zero-setting at any position, convenient for relative and absolute measure conversion
- Mm/inch conversion at any position



货号 Code NO.	测量范围 Measuring Range mm	精度 Accuracy mm	L mm	a mm	b mm	d mm
115-453	上爪:0-300 下爪:30-300	±0.04	410	77	38	17

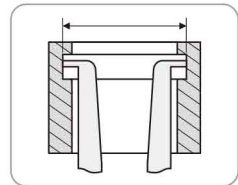
F

### 上爪内沟槽数显卡尺

Standard Lower Jaws Digital Caliper with Special Upper Jaws



分辨力:0.01mm  
Resolution:0.01mm

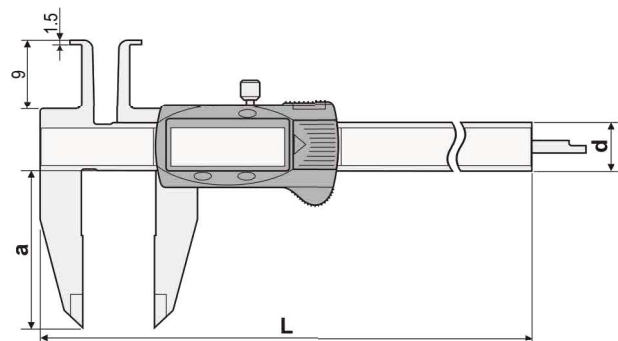


#### 主要特点:

- 带上内沟测量爪, 便于测量孔中的内沟槽尺寸, 下爪用于测外径
- 任意位置清零, 便于相对测量与绝对测量转换
- 任意位置公制与英制转换

#### FEATURES

- Upper jaws are used for inside groove measurements. Lower jaws are used for OD measurements
- Zero-setting at any position, convenient for relative and absolute measure conversion
- Mm/inch conversion at any position



货号 Code NO.	测量范围 Measuring Range mm	精度 Accuracy mm	L mm	a mm	d mm
115-431	上爪:5-150 下爪:0-150	±0.03	236	40	16