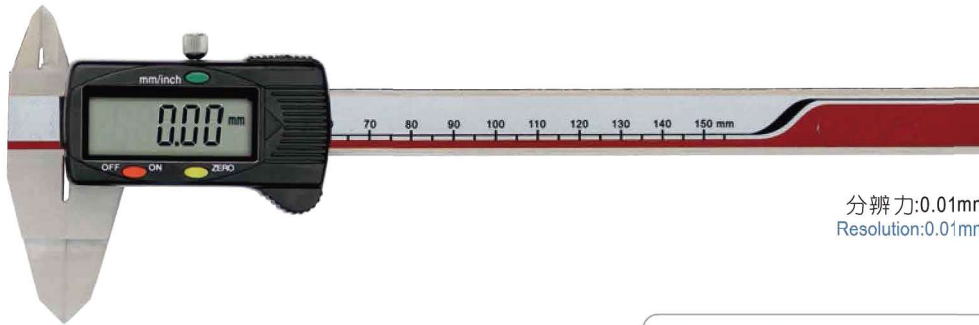
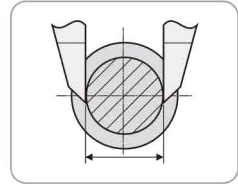


**薄片数显卡尺**

Digital Caliper with Thin Jaws



分辨率:0.01mm  
Resolution:0.01mm



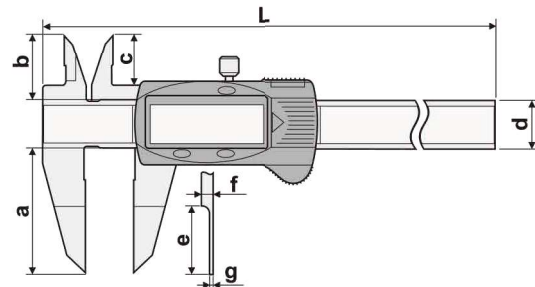
**主要特点:**

- 专用于窄小的卡环槽测量
- 任意位置清零, 便于相对测量与绝对测量转换
- 任意位置公制与英制转换

**FEATURES**

- Used for narrow groove measurements
- Zero-setting at any position, convenient for relative and absolute measure conversion
- Mm/inch conversion at any position

货号 Code NO.	测量范围 Measuring Range mm	精度 Accuracy mm	L mm	a mm	b mm	c mm	d mm	e mm	f mm	g mm
111-211	0-150	± 0.04	236	40	21	16.5	16	20	3.2	0.75
111-211-1	0-150	± 0.04	236	40	21	16.5	16	18	3.2	0.75
111-212	0-200	± 0.04	286	50	24	19.5	16	20	3.6	0.75
111-212-1	0-200	± 0.04	286	50	24	19.5	16	18	3.6	0.75
111-213	0-300	± 0.04	400	60	26	21.5	16	20	3.8	1
111-213-1	0-300	± 0.04	400	60	26	21.5	16	18	3.8	1



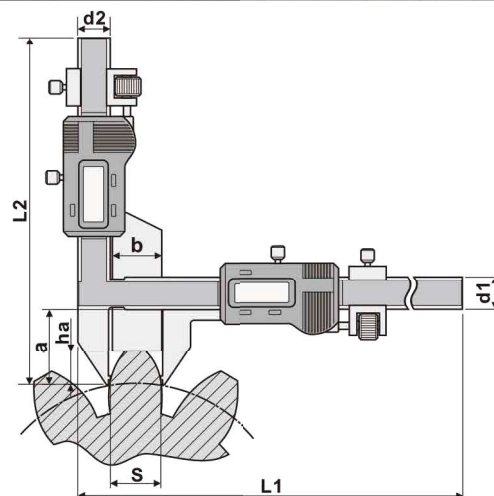
**齿厚数显卡尺**

Digital Gear Tooth Caliper



分辨率:0.01mm  
Resolution:0.01mm

货号 Code NO.	测量范围 Measuring Range mm	精度 Accuracy mm	L1 mm	L2 mm	a mm	b mm	d1 mm	d2 mm
118-171D	m1-26	± 0.04	170	165	30.5	21	16	16
118-172D	m5-50	± 0.04	220	190	55	50.5	16	16



**主要特点:**

- 专用于齿轮齿厚尺寸的测量
- 任意位置清零, 便于相对测量与绝对测量转换
- 任意位置公制与英制转换

**FEATURES**

- Used for measuring gear thickness
- Zero-setting at any position, convenient for relative and absolute measure conversion
- Mm/inch conversion at any position